



Description Automatic reclosing device
 Code ReStart Autotest PRO 4P
 Rated voltage AC 400 V
 Rated frequency (Hz) 50 Hz
 Rated current 63 A
 Rated residual operating current 300 mA
 Type of residual current protection A [S]
 Number of poles 4P

ELECTRICAL CHARACTERISTICS

Standard	IEC EN 63024, IEC EN 61008-1, IEC EN 61008-2-1
Distribution system	TT - TN-S
Insulation voltage (Ui)	500 V
Dielectric strength test voltage between pole and earth	2500 a.c. for 1 minute
Rated impulse withstand voltage (Uimp)	4 kV
Overvoltage category	III
Rated non-operating resistance between live parts and earth (Rdo)	2,5 kΩ
Rated operating resistance between live parts and earth (Rd)	5 kΩ

AUTOTEST FUNCIONT

Autotest (automatic RCCB protection test) Yes

RESTART FUNCTIONFUN

Automatic reclosure for untimely tripping Yes
 Earth failure test Yes
 Continuous system monitoring Yes

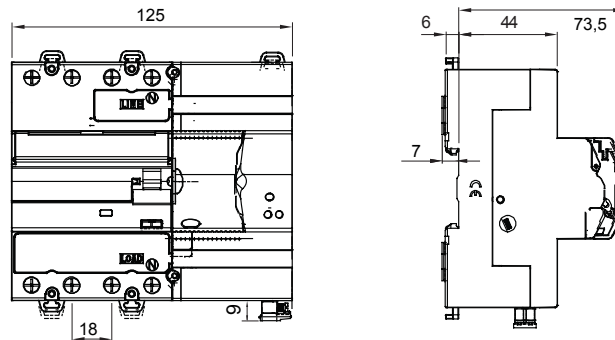
MECHANICAL CHARACTERISTICS

Maximum operating frequency	30 oper./h
Mechanical endurance	4000
Operating temperature	-25°C ÷ +60°C
Sticking temperature	-40°C ÷ +70°C
No. modules	7
Completeable with	GW90992 RS485 BUS Module

FEATURE AUXILIARY CONTACT

Type of contacts	Photomos (potential free)
Operating modes	NO/NC/NC + pulse
Voltage operating	5÷230 a.c. / d.c.
Operating frequency	50 Hz
Current operating	0,6 (min) - 100 cosφ= 1 (max)
Use category	AC12
Terminal section	≤ 2,5 mm ²

DIMENSIONAL





Product Data Sheet

GW90930

90 ReStart Range

STANDARDS/APPROVALS



GEWISS S.p.A. Via A. Volta, 1
24069 Cenate Sotto - Bergamo - Italy
tel. +39 035 94 61 11 fax +39 035 94 69 09
Company subject to the management and
coordination of Polifin S.p.A.

www.gewiss.com
sat@gewiss.com
Last update 10/04/2026

Data, measures, designs and pictures are shown
only as informative purposes,
and could be changed without previous notice