

**Pressure measuring transducers,
incl. DIN plug-in connectors,
with active output**

The pressure measuring transducer **PREMASGARD® SHD** measures relative pressures in the bar range. It converts the measured pressure into standard signals of 4...20 mA. Process connection is G 1/2" straight external pipe thread.

SHD is used for pressure measurement in gaseous and liquid media. Applications of this pressure transmitter are in hydraulics, pneumatics, process technology, in mechanical and plant engineering.

The pressure measuring cell is gasketless welded together with the pressure pick-up.

SHD
with display



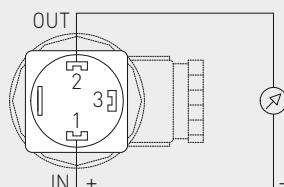
TECHNICAL DATA

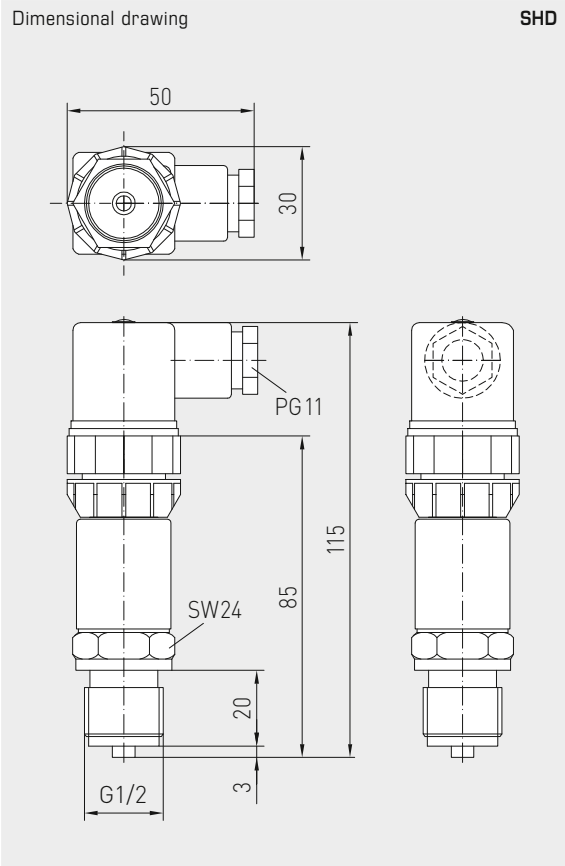
Power supply:	7 - 33V DC
Measuring ranges:	see table (other ranges upon request)
Permissible working resistance:	$< (U_B (V) - 7 V) / 0.02 A$; R_L depending on working resistance
Output:	4 ... 20 mA
Connection type:	2-wire connection
Electrical connection:	0.25 - 1.5 mm ² , via plug-in connector DIN EN 175301-803-A (included in the scope of delivery)
Pressure connection:	G 1/2" sealing at the back, and manometer (combined) with profile gasket FPM, special WW G 1/4" DIN 3852
Type of pressure:	relative
Measuring principle:	steel measuring cell
Temperature of medium:	-40...+135 °C
Mounting:	directly on pressure line
Enclosure:	stainless steel V2A (1.4305)
Connecting head:	plastic, approx. 98 x 50 x 34 mm
Medium contacting parts:	stainless steel V2A (1.4305)
Response time:	2 ms (1 ms typical)
Characteristic line:	± 0.3 %
Overload range:	< 6 bar: 5 x of final value > 6 bar: 3 x of final value (max. 1500 bar)
Bursting pressure:	< 6 bar: 10 x of final value > 6 bar: 6 x of final value (max. 2500 bar)
Protection class:	III (according to EN 60 730)
Protection type:	IP 65 (according to EN 60 529)
Standards:	CE conformity, electromagnetic compatibility according to EN 61 326, EMC directive 2014 / 30 / EU
Tests:	Drinking water approval according to NSF/ANSI 61/372, UL-certified according to ANSI/UL 61010-1
Optional:	Display module , made of plastic, polyamide material, black colour, extra height: approx. 73 mm, pluggable, factory-calibrated and configured , for displaying the differential pressure (in bar, other units available upon request)

Connecting diagram

SHD-I

- 2 Output pressure 4...20mA
- 3 Free
- 1 Supply voltage UB+ 24V DC





SHD

SHD
without display



Display module
(optional)



PREMASGARD® SHD Pressure measuring transducers, ID

Type / WG01	Measuring Range	Output	Display	Item No.	Price
SHD-I			I-variant		
SHD-I 1	0...1 bar	4...20mA		1301-2112-0520-120	185,45 €
SHD-I 2,5	0...2.5 bar	4...20mA		1301-2112-0530-120	185,45 €
SHD-I 6	0...6 bar	4...20mA		1301-2112-0550-120	134,26 €
SHD-I 10	0...10 bar	4...20mA		1301-2112-0560-120	134,26 €
SHD-I 16	0...16 bar	4...20mA		1301-2112-0570-120	134,26 €
SHD-I 25	0...25 bar	4...20mA		1301-2112-0580-120	185,45 €
SHD-I 40	0...40 bar	4...20mA		1301-2112-0590-120	185,45 €
Optional:	Display module , factory-calibrated and configured			■	on request

For additional device variants, see **S+S Facility Engineering!**