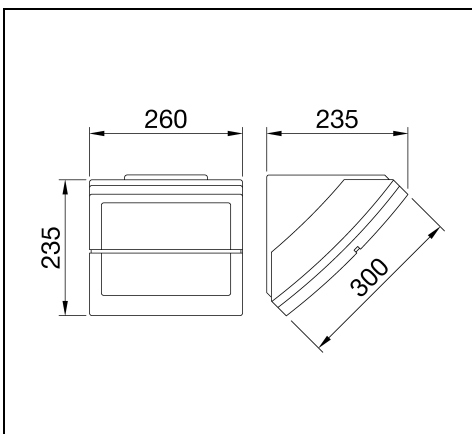


EXTRO LED

Part number GWS2402



Description

Multifunctional lighting device for residential and urban areas with body made in PC:

- Also available in 13W and 26W LED versions
- Sandblasted glass diffuser
- Possibility of wall, ceiling, pole and column mounting

Product data

ETIM Group:	EG000027	ETIM Class:	EC002892
-------------	----------	-------------	----------

General information

Lampholder:	LED	Light source:	LED
Luminaire lumen output [lm]:	1950	Luminaire wattage [W]:	26 W
Luminous efficacy [lm/W]:	75	CRI:	90
Colour temperature [K]:	4000	Colour / Finishing:	Graphite grey / Graphite grey
IP degree of protection:	IP55	IK-J-xxIP:	IK09 10J xx7
Protection class:	I	Optic:	OPAL - Opal
Net weight [kg]:	2.345	Overall length [mm]:	260
Overall width [mm]:	235	Overall height [mm]:	235

Mechanical features

Housing material:	Plastic	Diffuser material:	Glass
Glow wire test [°C]:	850 °C		

Electrical features

Voltage type:	AC	Input voltage [V AC]:	220/240
Input frequency [Hz]:	50/60		

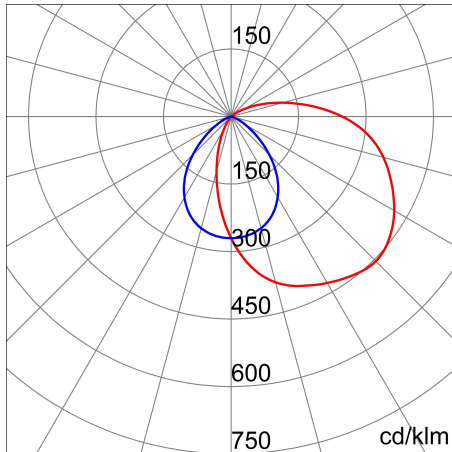
Installation

Application area:	Outdoor	Mounting type:	Wall / Ceiling surface
Min. ambient temperature [°C]:	-25	Max. ambient temperature [°C]:	25

Light features

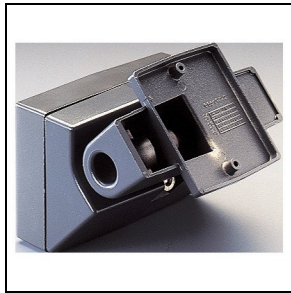
Distribution of light emission:	Direct
---------------------------------	--------

Photometric data

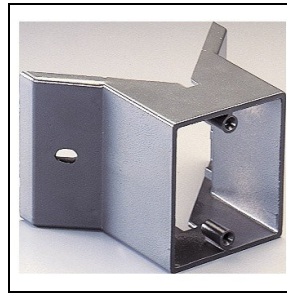


Optional accessories

EXTRO



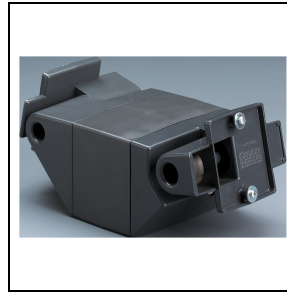
GW82290
Swivel bracket
■ Graphite grey



GW82291
Angle bracket
■ Graphite grey



GW82298
Pole mounting single swivel bracket
■ Graphite grey



GW82299
Pole mounting double swivel bracket
■ Graphite grey



GW82297
Rectangular base for support column
■ Graphite grey



GW82292
Pole for single device h = 1300 mm
■ Graphite grey

To maintain the regular updating of our products, GEWISS reserves the right to make changes without prior notice. For the most up to date information we always recommend you read the latest version published on the website www.performanceinlighting.com. Delivered luminaire lumen outputs and power consumptions, including losses, are subject to a tolerance of +/- 7%, and unless otherwise stated the values apply to an ambient temperature of 25°C. Terms of warranty are available at <https://www.gewiss.com/ww/en/about-gewiss/standard-sales-conditions/led-warranty>

date: 11/10/2024



GW88272

Replacement glass

Tempered glass

To maintain the regular updating of our products, GEWISS reserves the right to make changes without prior notice. For the most up to date information we always recommend you read the latest version published on the website www.performanceinlighting.com. Delivered luminaire lumen outputs and power consumptions, including losses, are subject to a tolerance of +/- 7%, and unless otherwise stated the values apply to an ambient temperature of 25°C. Terms of warranty are available at <https://www.gewiss.com/ww/en/about-gewiss/standard-sales-conditions/led-warranty>

For information:
GEWISS S.p.A.
Via Domenico Bosatelli 1 - 24069 Cenate Sotto
Bergamo - Italy
Tel. +39 035 946 111

gewiss@gewiss.com
www.performanceinlighting.com