

## 44 CE - SURFACE-MOUNTING BOXES IN GW PLAST® 75; GWT 650°C FOR ORDINARY JUNCTIONS

### TECHNICAL CHARACTERISTICS

Standard: EN 60670-1 (CEI 23-48); EN 60670-22 (23-94)

Degree of protection: IP44; IP55; IP56

Protection against indirect contact: double insulation - □ (+)

Installation temperature: max. +60°C; min. -25°C

Material: GW PLAST 75 technopolymer, versions with smooth walls, halogen-free in accordance with EN 60754-2 (CEI EN 50267-2-2)

Impact resistance: IK 07 (IP44 box) IK 08 (IP55 and IP56 boxes)

Heat resistance: thermo-pressure with ball 85°C

Resistance to abnormal heat and fire: Glow wire test 650°C

(\*) Complete insulation, in accordance with EN 61140 Standard, obtainable with GW 44 622 or GW 44 623 screwcaps or GW 44 621 fixing brackets in insulating material.  
Spanner coupler - screwed lid: 1 Nm for boxes with dim. BxH (mm) 100x100 and 120x80; 1.2 Nm for boxes with dim. BxH (mm) 150x110; 1.8 Nm for boxes with dim. BxH (mm) form 190x140 to 460x380.

### BEHAVIOUR WITH CHEMICAL AND ATMOSPHERIC AGENTS

Saline solution	Acids		Bases		Solvents				Mineral oil	UV rays
	Concentrated	Diluted	Concentrated	Diluted	Hexane	Benzol	Acetone	Ethyl alcohol		
Resistant	Limited resistance	Resistant	Resistant	Resistant	Limited resistance	Not resistant	Not resistant	Limited resistance	Limited resistance	Limited resistance

## 44 CE - SURFACE-MOUNTING BOXES IN GW PLAST® 75; GWT 960°C FOR SPECIAL USES

### TECHNICAL CHARACTERISTICS

Standard: EN 60670-1 (CEI 23-48); EN 60670-22 (23-94)

Degree of protection: IP44; IP55; IP56

Protection against indirect contact: double insulation - □ (+)

Installation temperature: max. +60°C; min. -25°C

Material: GW PLAST 75 technopolymer

Impact resistance: IK 07 (IP44 box); IK 08 (IP55 and IP56 boxes)

Heat resistance: thermo-pressure with ball 85°C (\*\*)

Resistance to abnormal heat and fire: Glow wire test 960°C

(\*) Complete insulation, in accordance with EN 61140 Standard, obtainable with GW 44 622 or GW 44 623 screwcaps or GW 44 621 fixing brackets in insulating material.  
Spanner coupler - screwed lid: 1 Nm for boxes with dim. BxH (mm) 100x100 and 120x80; 1.2 Nm for boxes with dim. BxH (mm) 150x110; 1.8 Nm for boxes with dim. BxH (mm) form 190x140 to 460x380.

(\*\*) for boxes GW44051R; GW44053R; GW44054R, GW44056R, GW440276C e GW440277C thermo-pressure with ball = 75°C

### BEHAVIOUR WITH CHEMICAL AND ATMOSPHERIC AGENTS

Saline solution	Acids		Bases		Solvents				Mineral oil	UV rays
	Concentrated	Diluted	Concentrated	Diluted	Hexane	Benzol	Acetone	Ethyl alcohol		
Resistant	Limited resistance	Resistant	Resistant	Resistant	Limited resistance	Not resistant	Not resistant	Limited resistance	Limited resistance	Limited resistance

**44 CE - SURFACE-MOUNTING BOXES IN GW PLAST® 120, GWT 650°C FOR INDUSTRIAL APPLICATIONS****TECHNICAL CHARACTERISTICS**

Standard: EN 60670-1 (CEI 23-48); EN 60670-22 (23-94)

Degree of protection: IP56

Protection against indirect contact: double insulation - □ (•)

Installation temperature: max. +60°C; min. -25°C

Material: GW PLAST 120 technopolymer, halogen-free in accordance with EN 60754-2 (CEI EN 50267-2-2)

Impact resistance: IK 08

Heat resistance: thermo-pressure with ball 110°C

Resistance to abnormal heat and fire: Glow wire test 650°C

(•) Complete insulation, in accordance with EN 61140 Standard, obtainable with GW 44 622 or GW 44 623 screwcaps or GW 44 621 fixing brackets in insulating material.  
Spanner coupler - screwed lid: 1 Nm for boxes with dim. BxH (mm) 100x100 and 120x80; 1.2 Nm for boxes with dim. BxH (mm) 150x110; 1.8 Nm for boxes with dim. BxH (mm) form 190x140 to 460x380.

**BEHAVIOUR WITH CHEMICAL AND ATMOSPHERIC AGENTS**

Saline solution	Acids		Bases		Solvents				Mineral oil	UV rays
	Concentrated	Diluted	Concentrated	Diluted	Hexane	Benzol	Acetone	Ethyl alcohol		
Resistant	Not resistant	Limited resistance	Not resistant	Limited resistance	Limited resistance	Not resistant	Not resistant	Limited resistance	Limited resistance	Limited resistance

**Incoming connection on cable glands****INSERTION OF CABLES**

In order to make correctly the introduction of CABLES into the dedicated seat of the cable glands, it is necessary that:

1. The cable is cut with a miter cut on the side for insertion in cable gland



2. In the central area of the cable gland, dedicated for cables, make using a tool (eg. screwdriver), a hole of size:

External Diameter Of Cable	Dimension of hole For Insertion of Cable
4÷7 mm	3.5 mm
>7÷9 mm	6 mm
>9÷13mm	8 mm
>13÷14mm	9 mm

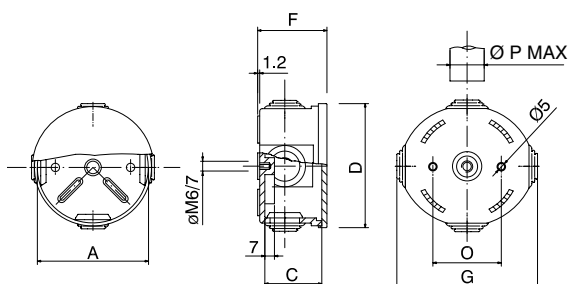
**INSERTION OF RIGID PIPES**

In order to make correctly the introduction of RIGID PIPES into the dedicated sectors of the cable glands, it is necessary that:

1. Remove completely the section of cable gland necessary to insert the rigid pipes by cutting the sector with cutter.
2. Remove any cutting waste from the rigid pipe before inserting it into the cable gland.

## Dimension tables

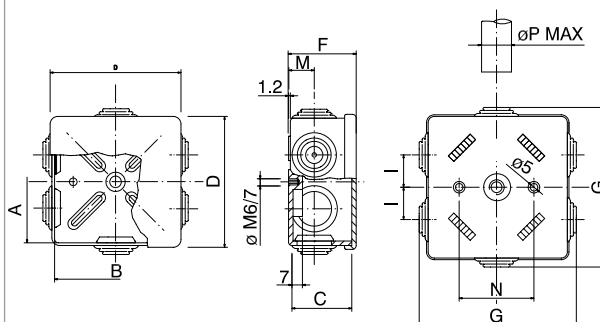
### 44 CE RANGE - JUNCTION BOXES WITH CABLE GLANDS



Code	A	C	D	F	G	M	O	P
GW 44 001 GW 44 051	65	35	72.5	40.5	74	17	40	20
GW 44 002 GW 44 052	80	40	87.5	45.5	90.5	17	50	20

NOTE= The opening of the lids must be performed with the aid of a screwdriver.

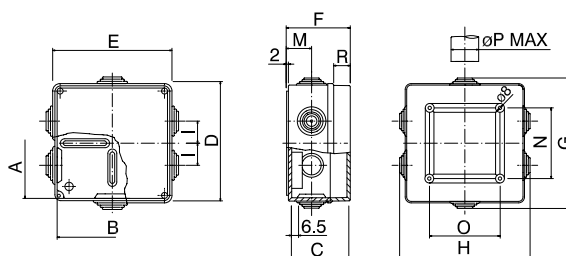
### 44 CE RANGE - JUNCTION BOXES WITH CABLE GLANDS



Code	A	B	C	D	F	G	I	M	N	P
GW 44 003 GW 44 053	80	80	40	87.5	45.5	95.5	20	17	50	20

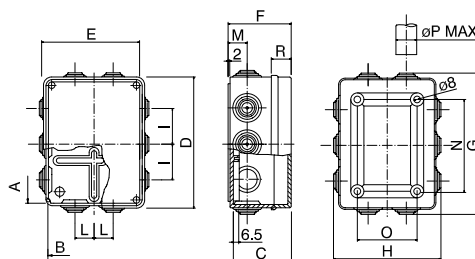
NOTE= The opening of the lids must be performed with the aid of a screwdriver.

### 44 CE RANGE - JUNCTION BOXES WITH CABLE GLANDS



Code	A	B	C	D	E	F	G	H	I	M	N	O	P	R
GW 44 004 GW 44 024 GW 44 054	100	100	52	108	108	58	120.5	120.5	20	23	64	64	25	15
GW 44 005 GW 44 055	120	80	50	129	89	58	140.5	100.5	30	23	82	42	25	15

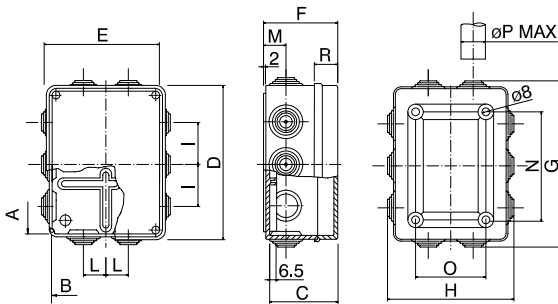
### 44 CE RANGE - JUNCTION BOXES WITH CABLE GLANDS



Code	A	B	C	D	E	F	G	H	I	L	M	N	O	P	R
GW 44 006 GW 44 026 GW 44 056	150	110	70	158	118	76	170.5	130.5	43	23	23	112	72	25	24

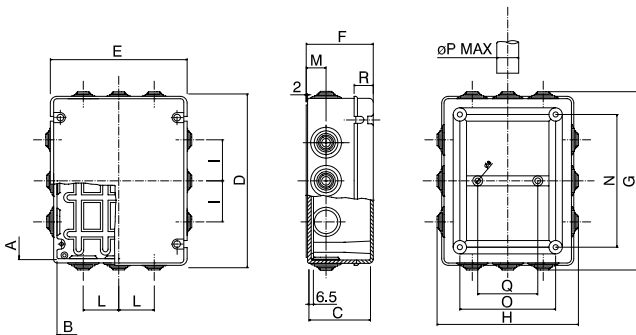
For technical information contact the Technical Assistance Service or visit [gewiss.com](http://gewiss.com)

## 44 CE RANGE - JUNCTION BOXES WITH CABLE GLANDS



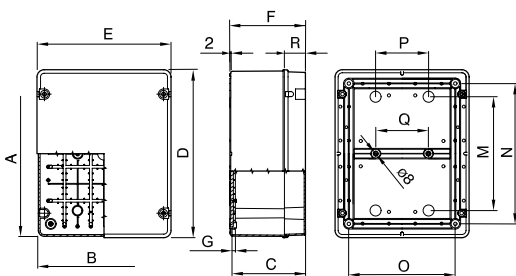
Code	A	B	C	D	E	F	G	H	I	L	M	N	O	P	R
GW 44 007	190	140	70	200	154	79	216.5	170.5	52	26	29	144	98	32	25
GW 44 057															

## 44 CE RANGE - JUNCTION BOXES WITH CABLE GLANDS



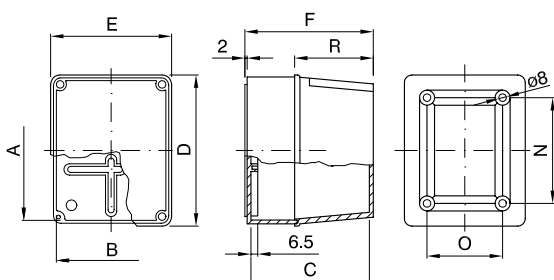
Code	A	B	C	D	E	F	G	H	I	L	M	N	O	P	Q	R
GW 44 008	240	190	90	254	200	98	270.5	215.5	60	52	29	194	140	32	-	28
GW 44 058																
GW 44 009	300	220	120	316	236	128	334.5	254.5	62	60	37.5	250	170	40	-	49.5
GW 44 059																
GW 44 010	380	300	120	396	316	128	414.5	334.5	71	62	37.5	331	251	40	124	49.5
GW 44 060																
GW 44 011	460	384	120	473.5	396	128	492.4	414.5	65	78	37.5	380	310	40	300	49.5
GW 44 061																

## 44 CE RANGE - JUNCTION BOXES WITH SMOOTH WALLS - PLAIN LID



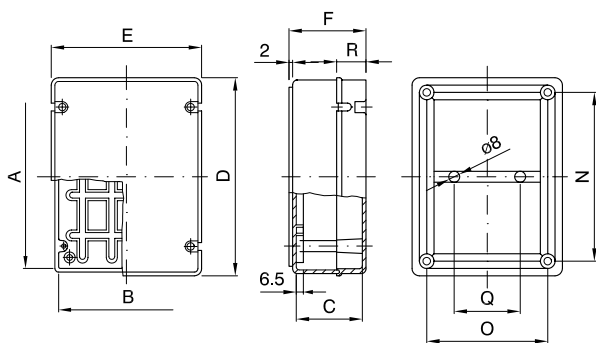
Code	A	B	C	D	E	F	N	O	R
GW 44 204	100	100	50	109	109	58	64	64	15
GW 44 234									
GW 44 274									
GW 44 404									
GW 44 205	120	80	50	129	89	58	82	42	15
GW 44 275									
GW 44 405									
GW 44 206	150	110	70	159	119	76	112	72	24
GW 44 236									
GW 44 276C									
GW 44 276									
GW 44 406									
GW 44 426									

## 44 CE RANGE - JUNCTION BOXES WITH SMOOTH WALLS - DEEP LID



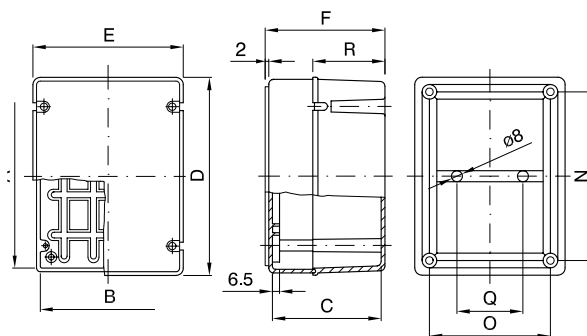
Code	A	B	C	D	E	F	N	O	R
GW 44 214	100	100	120	109	109	126	64	64	83
GW 44 414									
GW 44 254									
GW 44 215	120	80	120	129	89	126	82	42	83
GW 44 415									
GW 44 255									
GW 44 216	150	110	140	159	119	146	112	72	94
GW 44 416									
GW 44 436									
GW 44 256									

## 44 CE RANGE - JUNCTION BOXES WITH SMOOTH WALLS - PLAIN LID



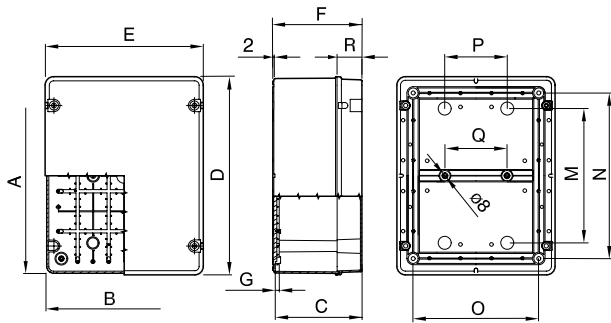
Code	A	B	C	D	E	F	N	O	Q	R
GW 44 207										
GW 44 277C										
GW 44 277	190	140	70	200	154	79	144	98	-	25
GW 44 407										
GW 44 427										
GW 44 208										
GW 44 278	240	190	90	254	200	98	194	140	-	28
GW 44 408										
GW 44 428										
GW 44 209										
GW 44 279	300	220	120	316	236	128	250	170	-	49.5
GW 44 409										
GW 44 429										
GW 44 210										
GW 44 280	380	300	120	396	316	128	331	251	124	49.5
GW 44 410										
GW 44 430										
GW 44 211										
GW 44 281	460	380	120	474	396	128	380	310	300	49.5
GW 44 411										
GW 44 431										

## 44 CE RANGE - JUNCTION BOXES WITH SMOOTH WALLS - DEEP LID



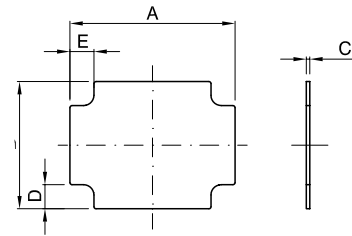
Code	A	B	C	D	E	F	N	O	Q	R
GW 44 217										
GW 44 417	190	140	140	200	154	148	144	98	-	94
GW 44 437										
GW 44 257										
GW 44 218										
GW 44 418	240	190	160	254	200	167.5	194	140	-	97.5
GW 44 438										
GW 44 258										
GW 44 219										
GW 44 419	300	220	180	316	236	188	250	170	-	109.5
GW 44 439										
GW 44 259										
GW 44 220										
GW 44 420	380	300	180	396	316	188	331	251	124	109.5
GW 44 440										
GW 44 260										
GW 44 221										
GW 44 421	460	380	180	474	396	188	380	310	300	109.5
GW 44 441										
GW 44 261										

## 44 CE RANGE - JUNCTION BOXES WITH SMOOTH WALLS - HIGH CAPACITY BOTTOM



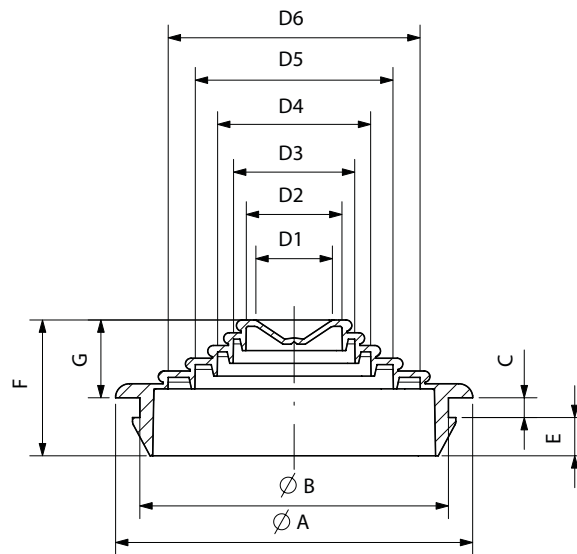
Code	A	B	C	D	E	F	G	H	I	J	K	L	M	N	O	P	Q	R	S	T	U	V	W	X	Y	Z
GW 44 114	100	100	80	109	109	86	6.5	-	64	64	-	-	15													
GW 44 117	190	140	110	201	154	118	7.8	-	144	98	-	-	25													
GW 44 137																										
GW 44 118	240	190	130	255	201	138	7.8	-	194	140	-	-	28													
GW 44 138																										
GW 44 119	300	220	170	316	237	178	7.8	130	250	170	110	-	49.5													
GW 44 139																										
GW 44 120	380	300	170	396	316	178	7.8	269	331	251	125	124	49.5													
GW 44 140																										

## 44 CE RANGE - JUNCTION BOXES WITH SMOOTH WALLS - BACK-MOUNTING PLATES



Code	A	B	C	D	E
GW 44 615	170	130	1.5	26	26
GW 44 625			4		
GW 44 616	230	170	1.5	28	28
GW 44 626			4		
GW 44 617	287	207	1.5	28.5	28.5
GW 44 627			4		
GW 44 618	363	283	2	26.5	56.5
GW 44 628			4		
GW 44 619	438	360	2	55	44
GW 44 629			4		

## CABLE GLANDS IP55



Code	ØA	ØB	C	E	F	G	PIPES ENTRY					CABLES ENTRY
							D2	D3	D4	D5	D6	D1
GW 50 428	23.5	20	3	2.5	14	8.5	16					Ø4.5
GW 50 429	29.6	23.4	2.2	3.9	12.1	6	16	20				Ø4-Ø14
GW 50 430	34.5	29.2	2.5	4.1	14.6	8	16	20	25	32		
GW 50 431	45	37.9	3.1	4.1	17.4	10.2	16	20	25	32		
GW 50 432	56	48.4	3.1	6	21.3	12.2	16	20	25	32	40	