

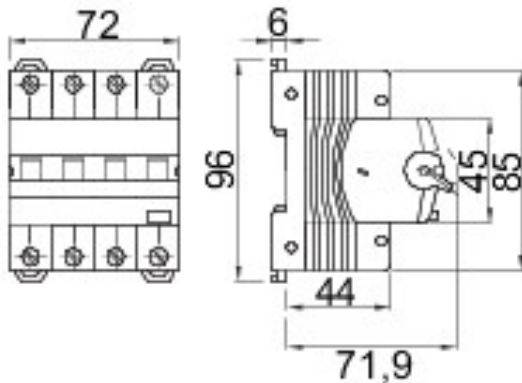


|   |                                  |
|---|----------------------------------|
| Description                               | RCCB WITH OVERCURRENT PROTECTION |
| Code                                      | MDC 60                           |
| No. of poles                              | 4P                               |
| No. modules                               | 4                                |
| Rated current                             | 20 A                             |
| Rated residual operating current          | 30 mA                            |
| Type                                      | A                                |
| Curve                                     | C                                |
| Rated voltage (EN/IEC 61009-1, 61009-2-1) | 400/415 V                        |

|   |   |                                    |   |
|---|---|------------------------------------|---|
| Standard                                | IEC/EN 61009-1, IEC/EN 61009-2-1              | Rated frequency (Hz)               | 50/60 Hz                                      |
| Breaking capacity EN 61009-1 400V (Icn) | 6000 A  | Breaking capacity EN 61009-1 (Ics) | 1 x Icn                                       |
| Breaking capacity EN 60947-2 400V (Icu) | 6 kA  | Breaking capacity EN 60947-2 (Ics) | 100% Icu                                      |
| Insulation voltage                      | 500 V   | Level of immunity (8/20 μs)        | 250 A   |
| Rated impulse withstand voltage         | 4 kV  | Overvoltage category               | III   |
| Electrical endurance                    | 10000   | Mechanical endurance               | 20.000  |
| Section rigid cable                     | <=1x35 - <=2x16 - <=1x16+2x10 mm <sup>2</sup> | Section flexible cable             | <=1x35 - <=2x16 - <=1x16+2x10 mm <sup>2</sup> |
| Double connection                       | YES (only down stream)                        | Rated tightening torque            | 2 Nm  |
| Operating temperature                   | -25 +40 °C                                    | Stocking temperature               | -40 +70 °C                                    |
| Auxiliaries compatibility               | Yes   | ReStart compatibility              | Yes   |
| Assembly position                       | Any   |                                    |   |

### DIMENSIONAL

### WIRING DIAGRAM



### STANDARDS/APPROVALS

