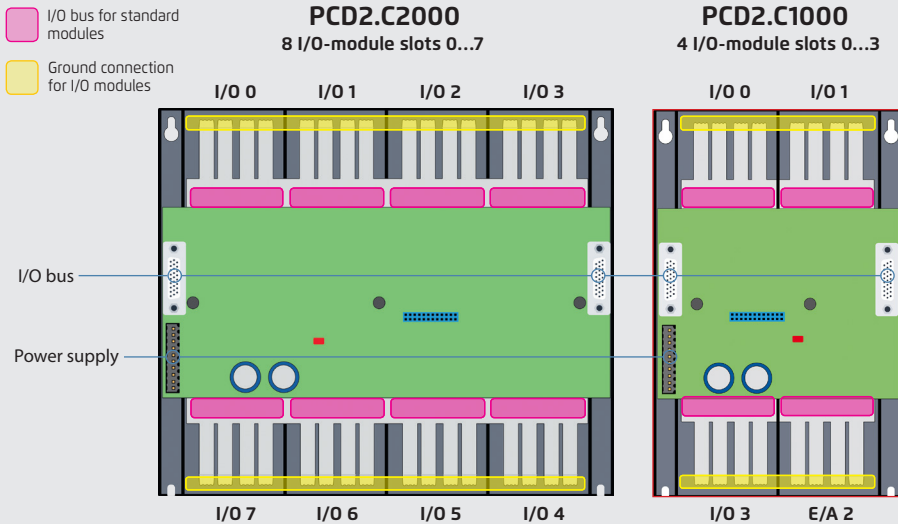
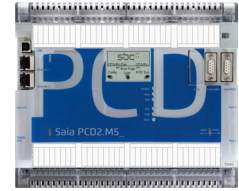


Saia PCD2.Cxxxx module holder

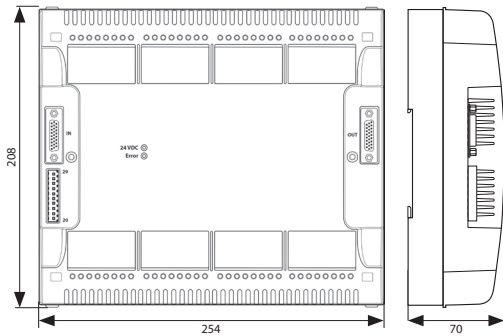
Up to 8 Saia PCD2.C1000 or Saia PCD2.C2000 module holders can be connected to the Saia PCD2.M4x60 (7 with PCD2.M5xxx). This makes it possible to connect up to 64 I/O modules or 1023 digital I/Os. A module holder has space for 4/8 I/O modules. In addition to Saia PCD2.Cxxxx module holders, all Saia PCD3 module holders can also be connected.



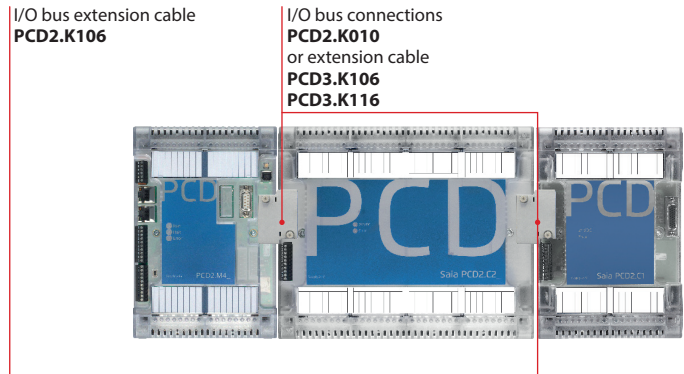
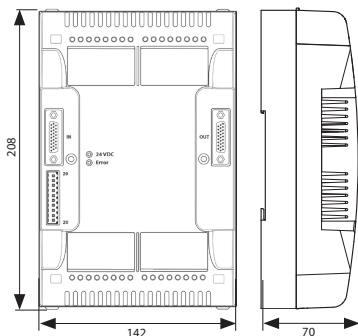
System properties

- ▶ Up to 1023 central data points
- ▶ Numerous module variants can be plugged in
- ▶ Mounting is quick and easy
- ▶ Can be combined with Saia PCD3.Cxxx module holders
- ▶ Connections for a power supply on each module holder
- ▶ Can be connected below or next to each other

Dimensions PCD2.C2000



Dimensions PCD2.C1000



PCD2.M5x40 to PCD2.Cx000	PCD2.M4x60 to PCD2.Cx000	PCD2.Cx000 to PCD2.Cx000
PCD2.K106	PCD2.K010 PCD3.K106 PCD3.K116	PCD2.K010 PCD3.K106 PCD3.K116

Saia PCD2 I/O module holder

Type	Description
PCD2.C1000	Expansion module holder with 4 I/O slots
PCD2.C2000	Expansion module holder with 8 I/O slots
PCD2.K010	I/O bus connector
PCD2.K106	I/O bus extension cable length 0.9 m (connection between PCD2.M5xxx and PCD2.Cxxxx)
PCD3.K106	I/O bus extension cable length 0.7 m (connection between two module holders)
PCD3.K116	I/O bus extension cable length 1.2 m (connection between two module holders)

No more than 5 extension cables may be used for this.