

PCD3.A410

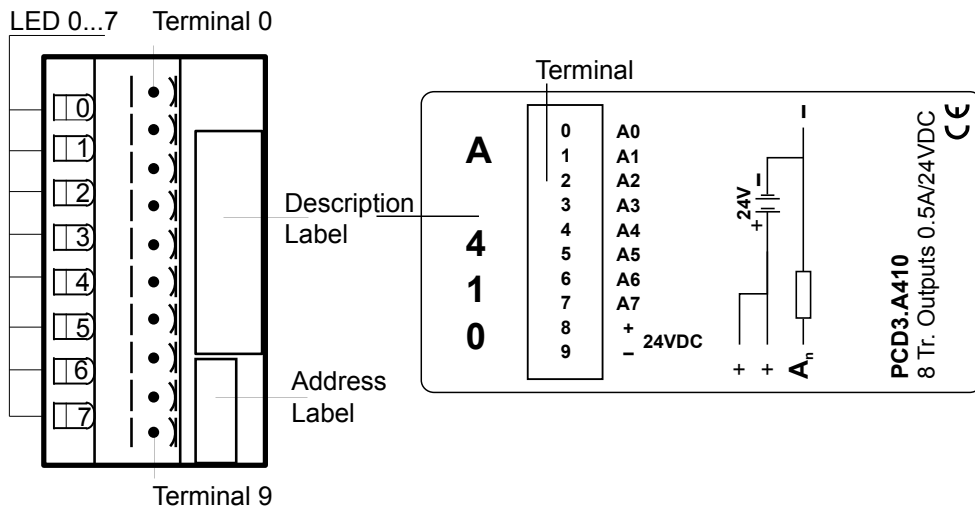
8 digital outputs, 0.5 A for each, electrically isolated

Output module, electrically isolated from the CPU, with 8 MOSFET transistor outputs, without short-circuit protection. Voltage range 1 ... 32 VDC.

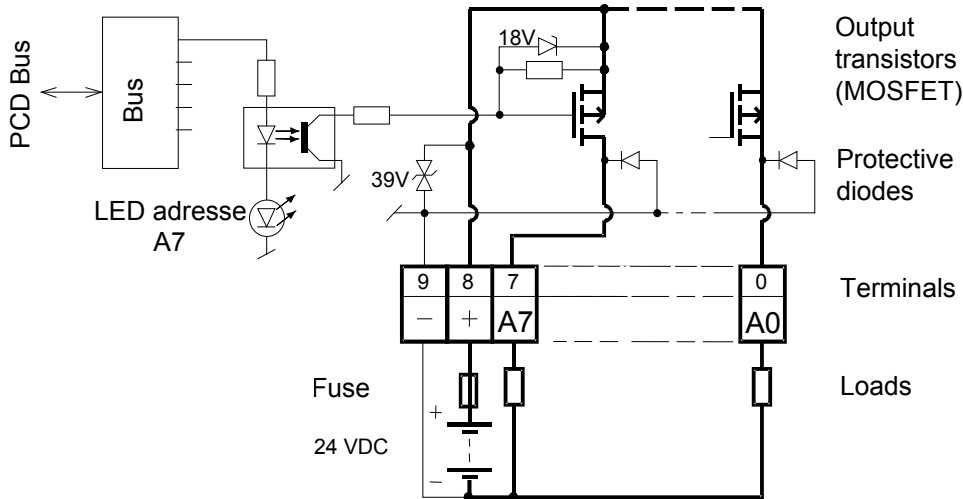


Technical data	
Number of outputs	8, electrically isolated
Output current	1 mA ... 500 mA (leakage current max. 0,1 mA) Within the voltage range 5 ... 24 VDC, the load resistance should be at least 48 Ω
Total current per module	4 A on 100% duty cycle
Operating mode	Source operation (positive switching)
Voltage range	5 ... 32 VDC, smoothed 10 ... 25 VDC, pulsed
Voltage drop	≤ 0.4 V at 0.5 A
Output delay	Switch-on delay typically 10 μs Switch-off delay typically 50 μs (ohmic load 5 mA ... 500 mA), longer with inductive load, because of the protective diode.
Isolation voltage	1000 VAC, 1 min
Resistance to interference acc. to IEC 801-4	4 kV under direct coupling 2 kV under capacitive coupling (whole trunk group)
Internal current consumption (from +5 V bus)	1 ... 24 mA (all outputs = 1), typically 15 mA
Internal current consumption (from V+ bus)	0 mA
External current consumption	Load current
Terminals	Plug-in I/O spring terminal block, 10-pole up to 2.5 mm ² , labelled 0 to 9, connector type A (4 405 4954 0)

LEDs and connection terminals



Output circuits and terminal designation



Fuse: It is recommended that each module should be separately protected with a fast-blow (S) fuse of max. 4 A.



Watchdog: This module can be used on all base addresses; there is no interaction with the watchdog on the CPUs.



I/O modules and I/O terminal blocks may only be plugged in and removed when the Saia PCD® and the external +24 V are disconnected from the power supply.



This module is not suitable for triggering the PCA2.D12/D14 display modules.

Ordering information

Type	Short description	Description	Weight
PCD3.A400	8 digital outputs for 0.5 A each, electrically isolated	Digital output module, 8 outputs, transistors, electrically isolated, 1 ... 32 VDC / 0.5 A, connection with pluggable spring terminals, plug-in type A, (4 405 4954 0) included	100 g

Ordering information equipment

Type	Short description	Description	Weight
4 405 4954 0	Plug-in, type A	Plug-in I/O spring terminal block, 10-pole up to 2.5 mm ² , labelled 0 to 9, connector type A	15 g

Saia-Burgess Controls AG

Bahnhofstrasse 18 | 3280 Murten, Switzerland
T +41 26 580 30 00 | F +41 26 580 34 99
www.saia-pcd.com

support@saia-pcd.com | www.sbc-support.com