



### Description

In addition to the onboard interfaces, the interface functions can also be expanded in a modular way using the various slots. The interface module PCD7.F110S supports the RS-485 and RS-422 industry standards.



PCD7.F110S

### RS-485 connection

(Electrically connected RS-485 interface)

Terminal	RS-485	Peripherie-device
x0 PGND	GND	PGND
x1 RX - TX	RS-485	RX - TX
x2 /RX - /TX	RS-485	/RX - /TX

More details are available in the manual "26-740 Installation components for RS-485 networks".

### RS-422 connection

Terminal	Pin	RS-422	Peripherie-device
PGND	x0	—————	PGND
TX	x1	—————	TX
/TX	x2	—————	/TX
RX	x3	—————	RX
/RX	x4	—————	/RX
PGND	x5	—————	SGND
RTS	x6	—————	RTS
/RTS	x7	—————	/RTS
CTS	x8	—————	CTS
/CTS	x9	—————	/CTS

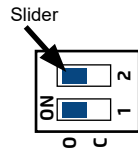
The line terminator in RS-422 mode occurs at 150 Ω in all cases.

### Bus termination

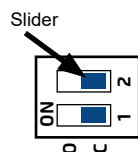
PCD7.F110S



RS-485 terminator



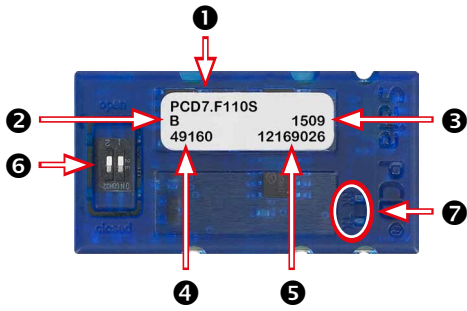
Open, not terminated (factory setting)



Closed, terminated

The terminating connectors can be linked using slide switches (CLOSED) or isolated (OPEN).

### What is where ?



- ❶ Order number
- ❷ Hardware version
- ❸ Manufacturing date
- ❹ Production number
- ❺ Production batch
- ❻ DIP-switches terminators if available (not for RS-422)
- ❼ Rx/Tx LEDs

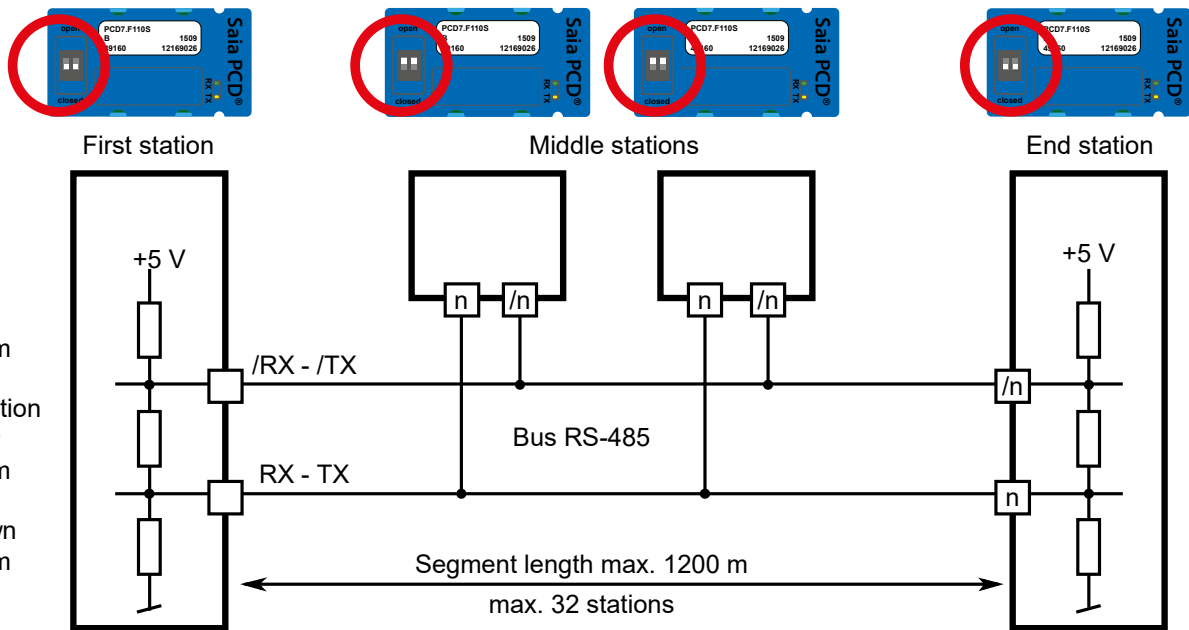
### LEDs

The both LEDs ❷ Rx and Tx have the following meaning:

- ▶ LED Rx Receive data detection
- ▶ LED Tx Transmission data detection

### Bus termination:

The bus termination must be made at the cable ends of the RS-485 cable. For this, the necessary terminating resistors in the PCD7.F110S must be connected by means of switches on the respective module.



First station and Last station = 'close', all other stations = 'open'.

## Compatibility

The Interface modules PCD7.F1xxS can be used in the following devices:

Use with . .	PCD7.F110S	PCD7.F121S	PCD7.F150S	PCD7.F180S	Example	State
<b>PCD1</b>						
PCD1.M0160E0	x	x	x	x		Active
PCD1.M1xx	x	x	x	x		Outphased
PCD1.M2xxx	x	x	x	x		Active
<b>PCD2</b>						
PCD2.F2100	Port x.1	Port x.1	Port x.1	Port x.1		Active
PCD2.F2150	Port x.1	Port x.1	Port x.1	Port x.1		Active
PCD2.F2210	Port x.1	Port x.1	Port x.1	Port x.1		Active
PCD2.F2400	Port x.1	Port x.1	Port x.1	Port x.1		Active
PCD2.F2810	Port x.1	Port x.1	Port x.1	Port x.1		Active
PCD2.M1xx PCD2.M2xx PCD2.M4xx	x	x	x	x		Outphased
PCD2.M4xxx	x	x	x	x		Active
PCD2.M5xxx	x	x	x	x		Active
<b>PCD3</b>						
PCD3.F210	Port x.1	Port x.1	Port x.1	Port x.1		Active
PCD3.F215	Port x.1	Port x.1	Port x.1	Port x.1		Active
PCD3.F221	Port x.1	Port x.1	Port x.1	Port x.1		Active
PCD3.F281	Port x.1	Port x.1	Port x.1	Port x.1		Active
PCD3.M6893	x	---	x	---		Active
PCD3.M2330xxx	x	x	x	x		Outphased
<b>PCD7</b>						
PCD7.D457VT5F	x	x	x	x		Active
PCD7.D410VT5F	x	x	x	x		Active
PCD7.D412DT5F	x	x	x	x		Active



**ATTENTION**

These devices must only be installed by a professional electrician, otherwise there is the risk of fire or the risk of an electric shock.

**WARNING**

Product is not intended to be used in safety critical applications, using it in safety critical applications is unsafe.

**WARNING - Safety**

The unit is not suitable for the explosion-proof areas and the areas of use excluded in EN61010 Part 1.

**WARNING - Safety**

Check compliance with nominal voltage before commissioning the device (see type label).  
Check that connection cables are free from damage and that, when wiring up the device, they are not connected to voltage.  
Do not use a damaged device!

**NOTE**

In order to avoid moisture in the device due to condensate build-up, acclimatise the device at room temperature for about half an hour before connecting.

**CLEANING**

The device can be cleaned in dead state with a dry cloth or cloth soaked in soap solution.  
Do not use caustic or solvent-containing substances for cleaning.

**MAINTENANCE**

These devices are maintenance-free.  
If damaged, no repairs should be undertaken by the user.

**GUARANTEE**

Opening the module invalidates the guarantee.

Observe this instructions (data sheet) and keep them in a safe place.  
Pass on the instructions (data sheet) to any future user.



WEEE Directive 2012/19/EC Waste Electrical and Electronic Equipment directive  
The product should not be disposed of with other household waste. Check for the nearest authorized collection centers or authorized recyclers. The correct disposal of end-of-life equipment will help prevent potential negative consequences for the environment and human health.



EAC Mark of Conformity for Machinery Exports to Russia, Kazakhstan or Belarus.



PCD7.F110S

## Ordering information

Type	Short description	Description	Weight
PCD7.F110S	Serial interface modules	Serial interface module RS-422 / RS-485	7 g