

IQ5-IO I/O Modules



Description

The IQ[®]5-IO range of I/O modules are designed for use with the IQ5 controller, to provide input and output channel connection points.

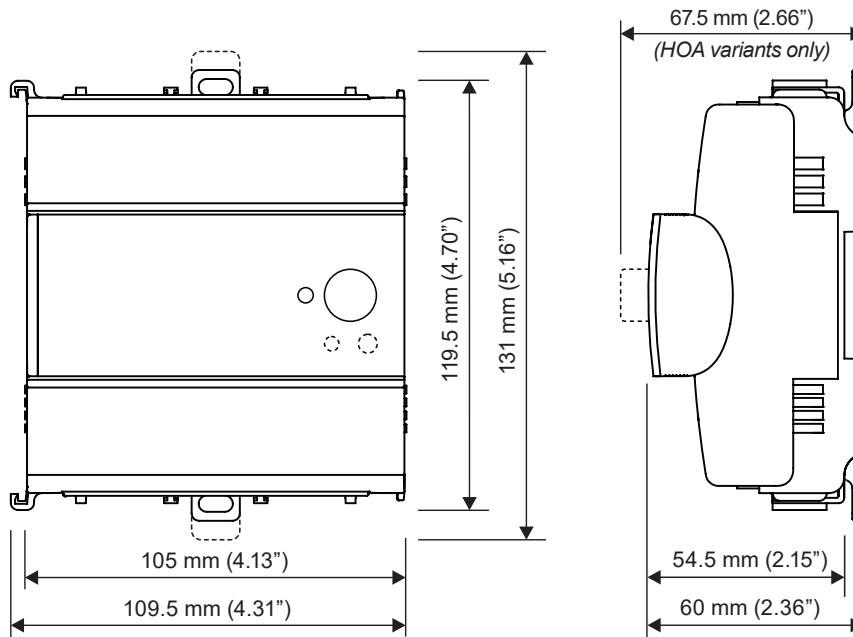
A comprehensive choice of I/O types is available including universal inputs/outputs (UIO), digital inputs (DI), digital/relay outputs (DO). A 'hand-off-auto' variant (8DO-HOA) is also available, offering manual override of module outputs.

Integral I/O bus connectors allow easy and convenient 'side-by-side' module installation or, by using wiring adapters, modules can be installed up to 300 metres apart.

Features

- Secure T1L high-speed IO bus connection to controller
- Universal input/output, digital input, digital output variants
- Hand-off-auto option (on 8DO-HOA)
- Up to 300 I/O channels per controller (subject to licence)
- Up to 300 metres (1000 ft) between cable connected modules
- Powered from controller or external PSU
- Two part I/O connectors for easy installation/commissioning
- Side-by-side or remote connection options
- DIN rail mounting, DIN 19 size 2 standard enclosure

Physical

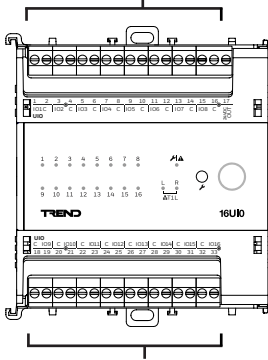


FUNCTIONALITY

HARDWARE

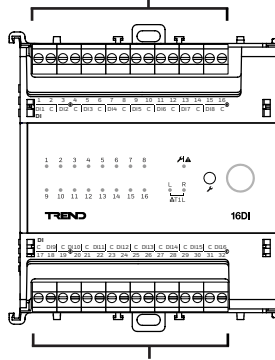
The range of IQ5-IO Modules comprises the following variants:

16UIO
16 Universal Inputs/Outputs
Channels 1-8



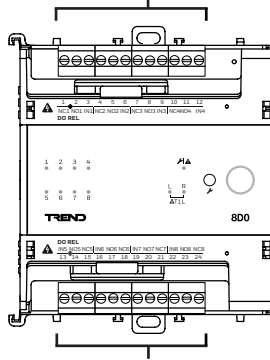
Channels 9-16

16DI
16 Digital Inputs
Channels 1-8



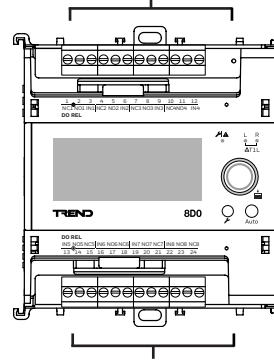
Channels 9-16

8DO
8 Digital/Relay Outputs
Channels 1-4



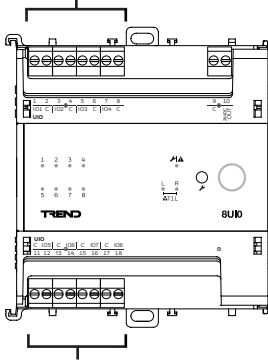
Channels 5-8

8DO-HOA
8 Digital/Relay Outputs, HOA
Channels 1-4



Channels 5-8

8UIO-105
8 Universal Inputs/Outputs
Channels 1-4



Channels 5-8

Note: All modules are shown with the terminal covers removed.

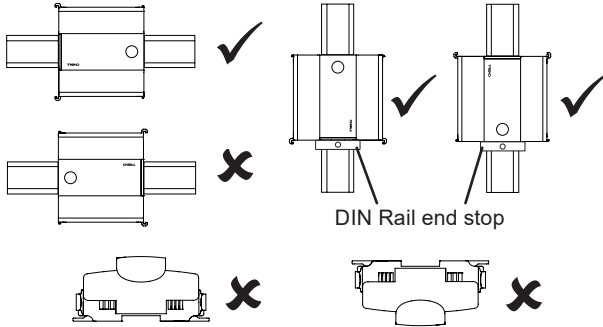
Enclosure

Each IQ5-IO Module is housed in a polycarbonate enclosure compatible with the DIN43880 and DIN 19 size 2 standard and with a complimentary styling to the IQ5 controller.

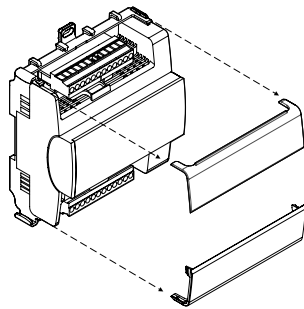
Integral clips on the back of the case enable the unit to be clipped on to (and quickly released from) a standard TS35 DIN rail.

IQ5-IO Modules must be installed in a secondary enclosure with a minimum protective rating of IP20 (or equivalent) or mounted outside normal reach (e.g. in a plenum).

A module may be mounted horizontally or vertically but not upside down or on its back:



Removable clip-on polycarbonate covers provide access to the various onboard terminal connections.



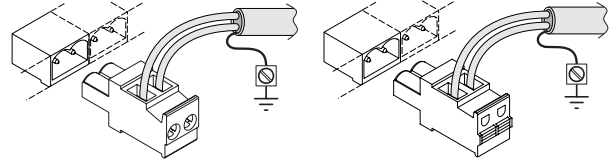
Spare covers are available (see 'Order Codes' on page 14)

Terminal Connectors

Connections for the various I/O channels are via two-part plugable screw terminal connectors which are supplied as standard with the modules and available in packs for spares. Optional connectors with push-fit terminals are also available (see 'Order Codes' on page 14).

Screw terminal plug

Push-fit terminal plug

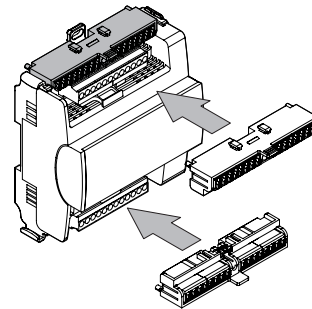


Function	Connector Type
Universal Input/Output (UIO)	2-way*
Digital Input (DI)	2-way
Digital/Relay Output (DO)	3-way

*On the 16UIO, input IO8 uses a 3-way connector with the extra terminal providing a connection to the 24 Vdc supply output.

Auxiliary Terminal Block

Optional terminal blocks are available that can be clipped on to an IO module to provide additional common terminals. These can be used (for example) to provide multiple 24 Vdc connections from the single 24 Vdc terminal on the 16UIO or 8UIO-105 module, or to provide ground/earth connections for cable screens.



The AUX-TRM-16 has 16 push-fit terminals, configured as two common groups of 8 with a maximum load of 12 A.

If more terminals are needed the connectors can be 'double-stacked'.

Input/Output Channels

The following types of input and output channel are supported:

- Universal Input/Output (UIO)
- Digital Inputs (DI)
- Digital/Relay Output (DO)

Cable Screening

The use of screened cable for input and/or output connections is optional and not generally required unless the cable passes through electrically noisy environments.

If screened cable is used the screen must be connected to the local panel/enclosure ground and left unterminated at the far end.

Universal Input/Output (UIO)

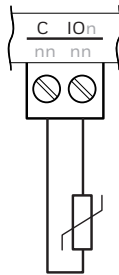
These channels will function in one of the following modes:

- thermistor input,
- voltage input,
- digital input,
- current input, or
- analogue output.

The input/output mode of each channel is set by the strategy configuration in the controller.

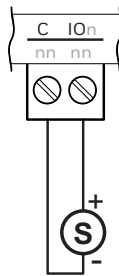
Thermistor input: Used for a thermistor (e.g. NTC (2K, 3K, 10K, 20K), PT100, PT1000, NI1000), potentiometer (0 to 300 kΩ) or fan speed control. The thermistor bridge resistor is 12 kΩ with a bridge supply 3.3 V.

Example wiring



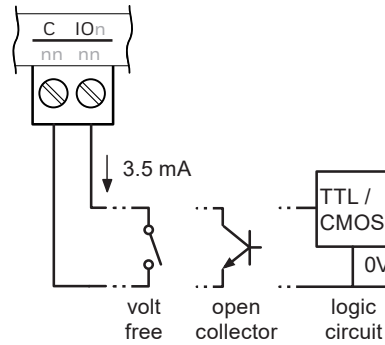
Voltage input: Used with a 0 to 10 Vdc or 2 to 10 Vdc source.

Example wiring



Digital input: Used for a volt free contact, logic circuit (e.g. TTL, CMOS), open collector (transistor), open drain (FET) or external voltage.

Example wiring



	volt-free input	external voltage
Input Inactive (OFF)	≥3 kΩ	≥4 Vdc (max 40V)
Input Active (ON)	≤500 Ω	≤2 Vdc (min 0V)

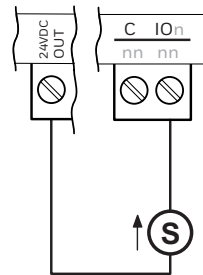
The input has a nominal wetting current of 3.5 mA.

Note: Voltage levels or resistances outside the values above may cause indeterminate operation.

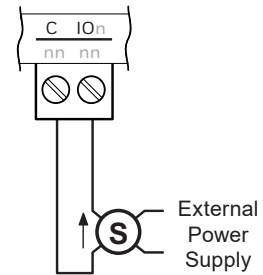
The input can be configured for pulse count operation (maximum 100 Hz with 50% / 50% duty cycle, 5 ms ON /5 ms OFF).

Current input: Used for 0 to 20 mA or 4 to 20 mA sources. May be either loop powered (from onboard 24VDC OUT terminal) or externally powered.

Example wiring - loop



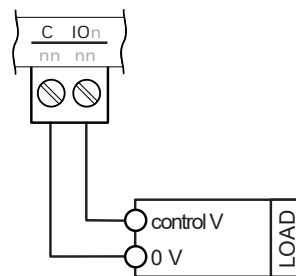
Example wiring - external



Note: The 24VDC OUT terminal can source up to 75 mA.

Analogue output: Provides a variable voltage output (0 to 10 Vdc, 1 to 10 Vdc or 2 to 10 Vdc).

Example wiring

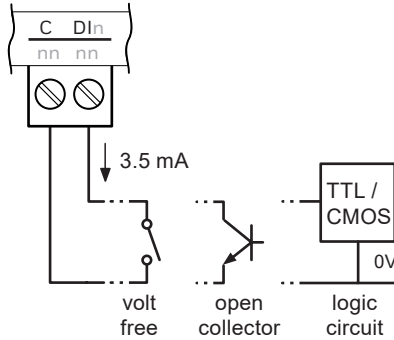


Digital Input (DI)

These channels are compatible with the following input devices:

- volt free contact (e.g. switch or relay),
- logic circuit (e.g. TTL, CMOS),
- open collector (transistor) or open drain (FET),
- external voltage.

Example wiring



	volt-free input	external voltage
Input Inactive (OFF)	≥3 kΩ	≥4 Vdc (max 40V)
Input Active (ON)	≤500 Ω	≤2 Vdc (min 0V)

The input has a nominal wetting current of 3.5 mA.

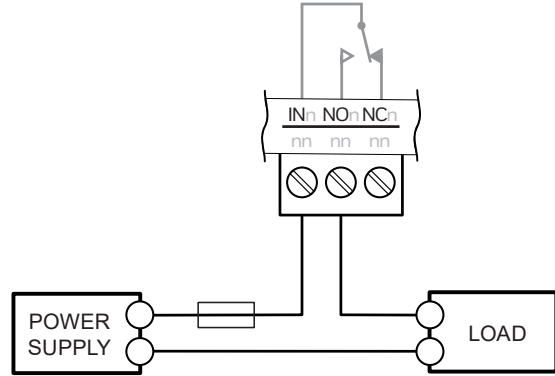
Note: Voltage levels or resistances outside the values above may cause indeterminate operation.

The input can be configured for pulse count operation (maximum 100 Hz with 50% / 50% duty cycle, 5 ms ON / 5 ms OFF).

Digital/Relay Output (DO)

These channels provide a single pole dry contact changeover relay.

Example wiring

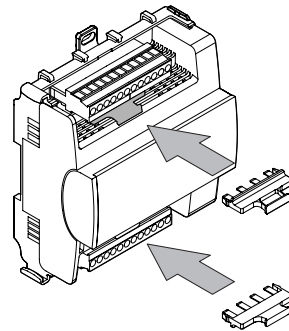


Ensure that external circuits are suitably protected against fault currents that would exceed the ratings for the switching circuits provided in this product.

The relay contacts close (i.e. NO makes with IN) when the output channel is ON.

Note: The relay on channel 5 on the 8DO and 8DO/HOA has a higher contact rating than the other channels (see “Digital/Relay Outputs (DO)” on page 11 for further details).

An optional 4-way plug-in jumper (IO-JUMPER-4) can be inserted adjacent to the connectors which will link the IN terminals. This enables a common supply to be used on channels 1 to 4 or 5 to 8:



Note: If required, pins can be removed from the 4-way jumper to prevent a certain channel from being linked. For example, remove the pin from channel 4 position to only have channels 1, 2 and 3 linked.

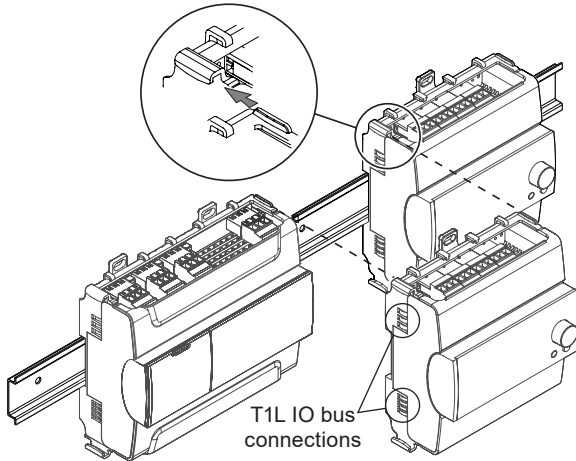
Caution: Mains and low voltage must not be mixed within relay block 1 (ch.1-4) or relay block 2 (ch5-8). If both mains and low voltages are to be switched, connect mains to block 1 and low voltage to block 2, or vice versa. If switching mains, all relays must switch the same phase and polarity. An arc suppression circuit (RC) is recommended for inductive loads (see TG200208). UL rating applies up to 240 Vac (120 VA) maximum.

T1L IO Bus

IQ5-IO modules interconnect with each other and the IQ5 controller via the T1L IO bus, which comprises the following power and signal connections:

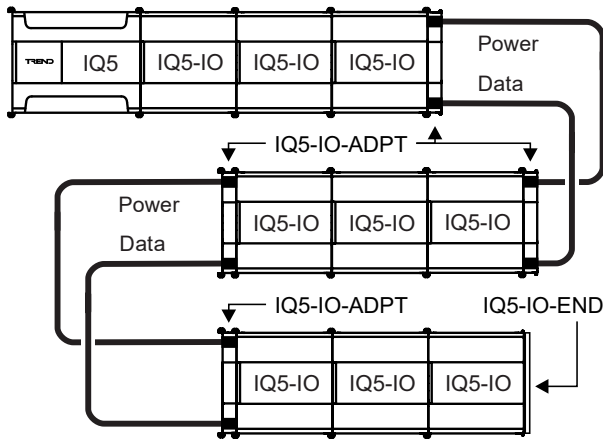
- 24 Vac (50/60Hz) or 24 Vdc
- 0 V
- Ground
- Data Hi
- Data Lo
- Screen

Modules can be slotted together, adjacent to the controller (or other I/O modules) with inter-module connections being made via integral spring connectors.



Note: Modules can easily be removed without disturbing adjacent modules.

Modules can also be mounted remotely from the controller (or from neighbouring I/O modules) and connected to the I/O bus by using IQ5-IO-ADPT wiring adapters and suitable cable.



Note: The IQ5-IO-ADPT wiring adapter includes a self-resetting fuse and transient voltage suppression that protects the I/O bus from over-current and over-voltage conditions caused by electrical transients or incorrect wiring. No protection is provided against accidental connection of mains voltages.

Cabling between modules on the I/O bus may be wired from right to left side, right to right or left to left, as long as correct bus polarity is maintained. Spurs are not permitted.

A cover plate (IQ5-IO-END) must be fitted to the last module on the bus, to protect the exposed bus connectors.

Note: A cover is supplied with each IQ5 controller which can be used for this purpose. A pack of spare covers is also available.

Maximum T1L I/O Bus Length

It is recommended that the maximum distance between IO modules is *300 metres so that communication between the controller and the IO modules will be maintained even if two sequential IO modules lose power. If more than 2 sequential modules loose power, the communication between the controller and IO modules downstream of the offline IO modules may be compromised.

Maximum Number of Modules

Up to 64 modules can be connected to the I/O bus. The maximum number of IO channels is subject to the number of points licenced on the controller.

Module Power Supply

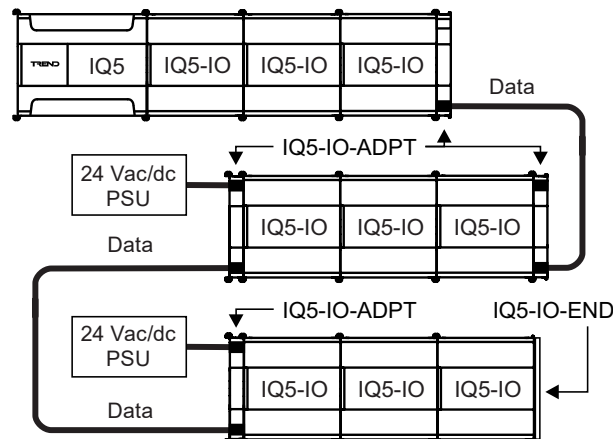
I/O modules can typically be powered from the controller via the I/O bus supply. This bus supply is derived from the controller's 24 Vac/dc supply and, therefore, the maximum current available to the I/O bus depends upon other current demands placed on the controller.

The maximum current required by each type of I/O module is listed in the table below – these values can be used to estimate the total current required by the I/O bus:

Module	Device Status	Current (Max)		Power (Max)	
		24 Vac (mA)	24 Vdc (mA)	24 Vac (VA)	24 Vdc (W)
16UIO	All channels set to AO 20 mA	1083	500	26	12
8UIO		708	333	17	8
16DI	All inputs ON	375	146	9	3.5
8DO 8DO-HOA	All relays ON	333	125	8	3

Where the total current requirement of the I/O bus exceeds the maximum available from the controller, one or more additional 24 Vac/dc power supplies may be installed. Additional supplies may also be required in the following circumstances:

- at the end of a long I/O bus cable run, to prevent voltage drop on the bus supply (minimum 19V supply required),
- where the current flow through the power line of any one module would exceed the maximum of 2 A, thus requiring the I/O bus power line to be split or segmented.



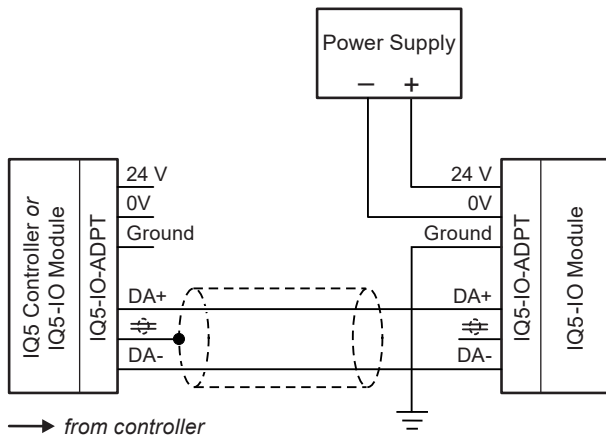
Additional Power Supplies

Important: Not permitted for UL compliant installations.

Where it is necessary to install an additional power supply along the I/O bus, the supply output must be isolated from earth (ground). The supply unit must also comply with the relevant EMC and safety standards.

Note: Trend offer a range of DIN rail mounted auxiliary power supplies that are suitable for this purpose.

The I/O wiring adapter (IQ5-IO-ADPT) is used to make the connection of external power supply units to the I/O bus as shown below:



Important: The 24 Vdc connection from the previous module must not be made. The 0 V connection must be made when an external supply is used and the 0 V line must be continuous for the entire length of the I/O bus.

Earthing/Grounding Arrangements

It is important that correct earthing/grounding is provided for the controller and modules on the I/O bus.

The I/O bus ground is connected to earth/ground via the controller. Modules located within the same secondary enclosure are earthed/grounded via the I/O bus ground connection.

Where modules are located in different secondary enclosures or where I/O bus cables exceed 1 m (39”), a local earth/ground connection must be provided. For further details refer to the IQ5-IO Modules Installation Instructions - Mounting (TG201484).

All DIN rails must be earthed/grounded.

I/O Module Addressing

Each module on the I/O bus must be assigned a unique address between 1 and 284.

Note: If a mix of IQ5-IO and IQ3/4 modules is used, it is recommended that the IQ5-IO use address range 31 to 284, with 1 to 30 being reserved for IQ3/4 modules.

The controller will automatically attempt to match each physical I/O module with its corresponding strategy I/O module and set its address accordingly.

Module addresses can be configured within the controller strategy, or manually changed using IQ®SET or the controller’s web page interface. Refer to the IQ5 Configuration Manual (TE201486) for further details on addressing.

Indicators

Various indicators are provided to give user feedback on the operational status of the module and its inputs/outputs.

General Indicators (all variants):

Indicator	Colour	Function
	Green Amber Red	Device status. Green indicates normal operation. Amber or Red indicates an issue that need resolving.
	Green Yellow	Service status. Normally OFF.
	Green Red	Status of the T1L I/O bus connected to the left (L) or right (R) side of the module.

Input/Output Indicators (depending on module type):

Indicator	Colour	Function
1 - 16 (16UIO) 1 - 8 (8UIO)	Green	State of associated universal input/output: unlit = OFF, fully lit = ON.
1 - 16 (16DI)	Green	State of associated digital input: unlit = OFF, lit = ON.
1 - 8 (8DO)	Green	State of associated digital output: unlit = OFF (IN connected to NC), lit = ON (IN connected to NO).

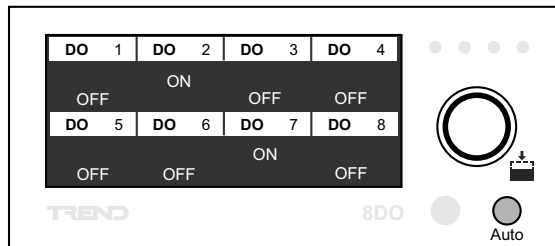
Service Button

This is a multi-function button located on the front of the module and can be used to:

- assign an unaddressed module to a strategy module (or next available bus address if a strategy module does not exist),
- display the module’s address by flashing the I/O bus indicator, or
- perform a module reset.

Hand-Off-Auto (HOA) Control

The 8DO-HOA module has a rotary/push-button control which allows the normal output operation (Auto Mode) to be manually overridden on each output. A back-lit LCD screen shows the current state of each output.



Note: The language used for display text can be changed.

While in Manual Mode, the rotary control can be used to select a particular output channel and change/override its current state.

Pressing the **Auto** button returns outputs to Auto Mode (short press for selected output, long press for all outputs). In Auto Mode the outputs behave as follows:

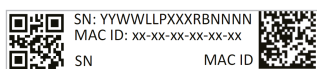
Connected to Controller?	Strategy Defined?	8DO-HOA Output
Yes	Yes	set by strategy
Yes	No	OFF
No	–	OFF

Important: All outputs on a new (factory-set) module will power up in Auto Mode. The outputs of a previously used module will power up in whichever mode was selected when the module was powered down.

Warning: Manual operation of the HOA module does not provide a safe environment for working on electrical equipment, and must not be used as a substitute for appropriate lockout-tagout procedures during maintenance operations.

Labelling

Two removable self-adhesive labels detailing the module's serial number (SN) and its T1L MAC address (MAC ID) are supplied which can be adhered to plant room panels, cabinets or schematic plans as required:



The serial number is also provided as a QR code, and the MAC ID is provided as a Data Matrix (2D barcode) such that both can be read using a suitable hand-held scanner.

A non-removable label containing both of these codes is fixed to the front panel of the module.

FIRMWARE

The firmware in each IQ5-IO Modules controls its basic functionality.

New versions of firmware may be made available from time to time to change or add functionality or to provide support for new products.

New firmware will be installed as part of an upgrade to the IQ5 controller. Once the controller has been upgraded it will automatically update the firmware of any attached I/O modules using the T1L IO bus.

FIELD MAINTENANCE

The IQ5-IO Modules require no routine maintenance.



WARNING: Contains no serviceable parts. Do not attempt to open the unit. Failure to comply may cause damage to the unit.

DISPOSAL

COSHH (Control of Substances Hazardous to Health - UK Government Regulations 2002) ASSESSMENT FOR DISPOSAL OF IQ5-IO Modules.

RECYCLING

All plastic and metal parts are recyclable. The printed circuit board may be sent to any PCB recovery contractor to recover some of the components for any metals such as gold and silver.



WEEE Directive:

At the end of their useful life the packaging, and product, and battery (if fitted) should be disposed of by a suitable recycling centre.

Do not dispose of with normal household waste.
Do not burn.

COMPATIBILITY

Controllers: IQ5.

INSTALLATION

The IQ5-IO Modules are designed to be clipped on to a standard TS35 DIN rail or be screwed directly to a flat surface. They must be installed inside an enclosure rated to at least IP20 (or equivalent) or mounted outside normal reach (e.g. in a plenum). The modules are UL rated as 'UL60730 listed open energy management equipment'. The installation procedure involves:

- Mounting the I/O module(s) in position
- Connecting the I/O bus to remote modules (if required)
- Connecting additional PSUs (if required)
- Connecting universal inputs/outputs (UIO modules only)
- Connecting digital inputs (DI modules only)
- Connecting relay outputs (DO modules only)

- Isolating all I/O connections
- Downloading strategy to controller
- Reconnecting all inputs and checking operation
- Reconnecting all outputs and checking operation

A full description of installing the IQ5-IO modules is given in the IQ5-IO Modules Installation Instructions - Mounting (TG201484) and IQ5, IQ5-IO Installation Instructions - Configuring (TG201483).

ORDER CODES

IQ5-IO-16UIO	IQ5 I/O Module with 16 universal input/output channels
IQ5-IO-8UIO-105	IQ5 I/O Module with 8 universal input/output channels (105mm wide enclosure)
IQ5-IO-16DI	IQ5 I/O Module with 16 digital input channels
IQ5-IO-8DO	IQ5 I/O Module with 8 digital/relay output channels
IQ5-IO-8DO-HOA	IQ5 I/O Module with 8 digital/relay output channels with LCD and hand-off-auto controls

ACCESSORIES

IQ5-IO-ADPT-2	Pack of 2 I/O bus wiring adapters (for IQ5 controller and IQ5/IO modules)
IQ5-IO-END-10	Pack of 10 spare end covers (for IQ5 controller and IQ5/IO modules)
IQ5-TCVR-105-10	Pack of 10 spare 105mm terminal covers (for 105 mm IQ5/IO modules)
DIN-CLIP-10	Spare DIN Clip (pack of 10)

AUX-TRM-16-10	Auxiliary Terminal Block 16-way (pack of 10)
IO-JUMPER-4-10	4 Pin Relay Output Jumper (pack of 10)

SCRW-TB-2-PUR-50	Spare 2-way Screw Terminal Plug Purple (pack of 50)
SCRW-TB-2-YEL-50	Spare 2-way Screw Terminal Plug Yellow (pack of 50)
SCRW-TB-3-ORN-50	Spare 3-way Screw Terminal Plug Orange (pack of 50)

PUSH-TB-2-PUR-50	Spare 2-way Push-fit Terminal Plug Purple (pack of 50)
PUSH-TB-2-YEL-50	Spare 2-way Push-fit Terminal Plug Yellow (pack of 50)
PUSH-TB-3-ORN-50	Spare 3-way Push-fit Terminal Plug Orange (pack of 50)

Note: Spare connectors are not pre-marked with terminal numbers.

SPECIFICATION

ELECTRICAL

Supply Voltage	24 Vac/dc $\pm 20\%$, derived from T1L bus on IQ5 controller or optional external isolated output power source.
Supply Current	dependant on module type and input/output usage (see page 6). Maximum current flow through module on I/O bus = 2 A.
T1L IO Bus	
Max. modules	64.
Data cable type	Screened twisted pair (e.g. TP/1/1/24/HF/305 or Belden equivalent 9841NH). (requires IQ5-10-ADPT wiring adapters)
*Cable length	
Lon cable TP/1/0/16/HF/200 (Belden 8471) - up to 300 m (1000 ft) between modules.	
MSTP cable TP/1/1/24/HF/305 or Belden equivalent 9841NH - up to 100 m (320 ft) between modules	

Inputs/Outputs

Universal Input/Output (UIO)

Function	Measuring voltage, current, thermistor or digital input, or provide analogue control output (function set by strategy).
Input Noise Rejection	Minimum 60 dB series mode rejection at input power supply frequency.
Analogue Resolution	
Input modes	16 bit (65,536 steps)
Output modes	13 bit (5019 steps)
Voltage Input	
Input range	0 to 10 Vdc, 2 to 10 Vdc.
Input resistance	9.4 k Ω .
Accuracy	$\pm 0.5\%$ of full scale range (50 mV).
Current Input	
Input range	0 to 10 mA, 4 to 10 mA, 0 to 20 mA, 4 to 20 mA.
Current source	onboard 24Vdc or external PSU.
Input resistance	120 Ω .
Accuracy	$\pm 0.5\%$ of full scale range (100 μ A).
Thermistor Input	
Input range	0 to 1 M Ω .
Accuracy	0 to 80 Ω = 0.5% ± 0.5 Ω ; 80 to 200 Ω = 0.3%; 200 to 10 k Ω = 0.2%; 10 k Ω to 20 k Ω = 0.3%; 20 k Ω to 100 k Ω = 0.8%; 100 k Ω to 200 k Ω = 1%; 200 k Ω to 1 M Ω = 8%.
Bridge resistor	12.2 k Ω .
Bridge supply	3.3 V.
Digital Input (wetting current = 3.5 mA)	
Volt-free input	
ON state	≤ 500 Ω .
OFF state	≥ 3 k Ω (or open circuit)
Input voltage	0 to 40 Vdc.
ON state	0 to 2 Vdc.
OFF state	4 to 40 Vdc.
Pulse rate	100 Hz max. (min. duty cycle 50% / 50% = 5 ms ON / 5 ms OFF).
Analogue Output	
Voltage range	0 to 10 Vdc, 1 to 10 Vdc, 2 to 10 Vdc.
Accuracy	$\pm 0.5\%$ of span (50 mV).

Digital Inputs (DI)

Function	On/off state (or pulse count) to strategy from volt free contact, logic circuit (e.g. TTL, CMOS), open collector (transistor) or open drain (FET).
Volt-free input	
ON state	≤ 500 Ω .
OFF state	≥ 3 k Ω (or open circuit)
Input voltage	0 to 40 Vdc.
ON state	0 to 2 Vdc.
OFF state	4 to 40 Vdc.
Pulse rate	100 Hz max. (min. duty cycle 50% / 50% = 5 ms ON / 5 ms OFF).

Digital/Relay Outputs (DO)

Function	Single pole changeover control from strategy for general purpose use.
Contact Rating (voltage):	
All channels:	19 to 250 Vac; 12 to 29 Vdc.
Contact Rating (current):	
Channels 1-4, 6-8:	5A resistive; 3A inductive.
Channel 5:	10A resistive; 6A inductive.
Maximum Total Load	12 A (across all channels).
Maximum Inrush	7.5 A (channels 1-4, 6-8); 15 A (channel 5).
Minimum Load	10 mA (all channels).
Minimum Cable Size	1.5mm ² (16 AWG).

Caution: Mains and low voltage must not be mixed within relay block 1 (ch.1-4) or relay block 2 (ch.5-8). If both mains and low voltages are to be switched, connect mains to block 1 and low voltage to block 2, or vice versa. If switching mains, all relays must switch the same phase and polarity. Arc suppression circuit (RC) recommended for inductive loads (see TG200208). UL rating applies up to 240 Vac (120 VA) maximum.

CONTROLS

All variants	
Service Button	Momentary action push-release.
HOA variants	
Control	Rotary/push-button.
Display	Backlit monochrome LCD panel.

MECHANICAL

Dimensions (overall WxHxD)	
105 mm modules	109.5 x 131 x 60 mm (4.31 x 5.16 x 2.36").
HOA modules	109.5 x 131 x 67.5 mm (4.31 x 5.16 x 2.66").
Material (enclosure)	Flame Retardant Polycarbonate.
Weight	
16UIO	0.344 kg (0.76 lb);
8UIO	0.306 kg (0.68 lb);
16DI	0.336 kg (0.74 lb);
8DO	0.363 kg (0.80 lb);
8DO-HOA	0.382 kg (0.84 lb).
Mounting (DIN Rail)	IEC/EN 60715 TH35x7.5 or TH35x15 (1.5 mm maximum thickness).

Connectors

I/O Bus	Integral spring contacts for inter-module connection. IQ5-IO-ADPT wiring adapter required for cable connection.
Inputs/Outputs	2 part connectors (5 mm pitch) with rising cage clamp screw terminals.
Cable size	0.2 to 2.5 mm ² (24 to 12 AWG). For UL compliance the input power connections must be made using 18 AWG or larger wire rated at least 90°C (194°F).

SPECIFICATION (continued)**ENVIRONMENTAL**

This device is suitable for indoor use only.

Approvals and Certifications

- UL 60730-1, Standard for Automatic Electric Controls for Household and Similar Use, Part 1: General Requirements;
- UL 60730-2-9;
- CAN/CSA-E60730-1:13, Standard for Automatic Electrical Controls for Household and Similar Use, Part 1: General Requirements;
- CAN/CSA-E60730-2-9;
- CAN ICES-3 (B)/NMB-3(B);
- Complementary listing for UL916, CSA C22.2 No. 205;
- SASO-approved;
- CE-approved;
- FCC part 15B and 15C;
- RSS-247 Issue 2;
- RSS-Gen Issue 5.

Classification According to EN60730-1 and UL60730-1

Environmental conditions	Equipment intended for use in industrial environments.
Construction	Independently mounted electronic control unit with fixed wiring; panel-mounted on DIN rail.
Action	type 1.B.
Rated impulse voltage	24 V circuits: 500 V; Relay outputs (DO): 2500 Vac.
Pollution degree	2.
Protection against shock	Class 0 (without terminal covers); Class II (with terminal covers).
Software class	A.

Energy Performance of Buildings

EN ISO 52120-1	This controller, when used as part of a complete Trend Controls system AND when programmed with an appropriate application/strategy can support compliance with EN ISO 52120-1. This enables buildings to achieve up to 30% energy cost savings (Energy classification "A") alongside maximizing comfort and well being.
EN12098-1	This control equipment complies with the performance specification defined in EN12098-1. With an appropriate application/strategy it can make use of operation modes, scheduling, optimum start/stop, outside air temperature and frost protection to enhance the energy performance of buildings.

Ambient Environmental Limits

Humidity	5 to 95%RH non-condensing.
Temperature	
Storage	-40 to +70°C (-40 to +158°F).
Operating	
HOA modules	-20 to +65.5°C (-4 to +150°F).
All other items	-40 to +65.5°C (-40 to +150°F).

Note: For temperatures below 0°C (32°F) special care must be taken that there is no condensation on or within the unit.

Altitude	≤4000 m (13124 ft).
Pollution Degree	2 (only non-conducting pollution occurs).
Protection	IP20 if mounted in an enclosure rated at IP20 or equivalent.

Please send any comments about this or any other Trend technical publication to techpubs@trendcontrols.com



© 2023 Honeywell Products and Solutions SARL, Connected Building Division. All rights reserved. Manufactured for and on behalf of the Connected Building Division of Honeywell Products and Solutions SARL, Z.A. La Pièce, 16, 1180 Rolle, Switzerland by its Authorized Representative, Trend Control Systems Limited.

Trend Control Systems Limited reserves the right to revise this publication from time to time and make changes to the content hereof without obligation to notify any person of such revisions or changes.

Trend Control Systems Limited

St. Mark's Court, North Street, Horsham, West Sussex, RH12 1BW, UK. Tel: +44 (0)1403 211888, www.trendcontrols.com