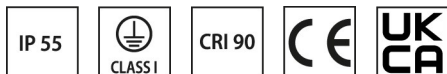
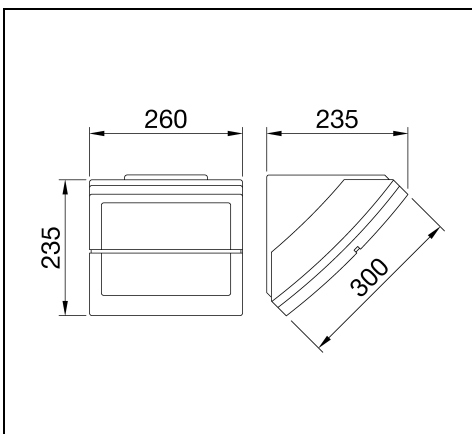


EXTRO LED

Part number GWS240230K



Description

Multifunctional lighting device for residential and urban areas with body made in PC:

- Also available in 13W and 26W LED versions
- Sandblasted glass diffuser
- Possibility of wall, ceiling, pole and column mounting

Product data

ETIM Group:	EG000027	ETIM Class:	EC002892
-------------	----------	-------------	----------

General information

Lampholder:	LED	Light source:	LED
Luminaire lumen output [lm]:	1850	Luminaire wattage [W]:	26 W
Luminous efficacy [lm/W]:	71	CRI:	90
Colour temperature [K]:	3000	Colour / Finishing:	Graphite grey / Graphite grey
IP degree of protection:	IP55	IK-J-xxIP:	IK09 10J xx7
Protection class:	I	Optic:	OPAL - Opal
Net weight [kg]:	2.266	Overall length [mm]:	260
Overall width [mm]:	235	Overall height [mm]:	235

Mechanical features

Housing material:	Plastic	Diffuser material:	Glass
Glow wire test [°C]:	850 °C		

Electrical features

Voltage type:	AC	Input voltage [V AC]:	220/240
Input frequency [Hz]:	50/60		

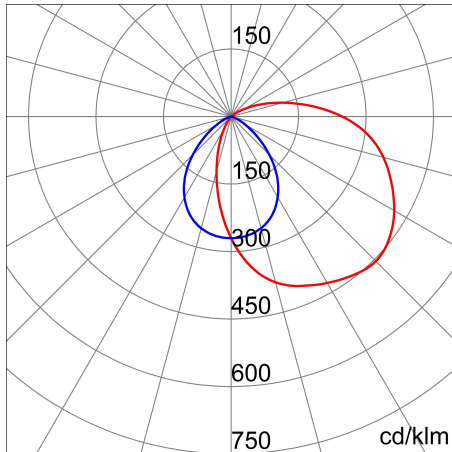
Installation

Application area:	Outdoor	Mounting type:	Wall / Ceiling surface
Min. ambient temperature [°C]:	-25	Max. ambient temperature [°C]:	25

Light features

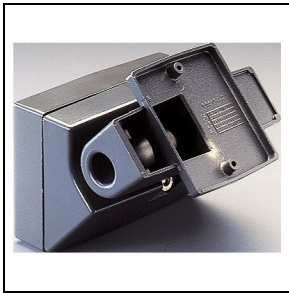
Distribution of light emission:	Direct
---------------------------------	--------

Photometric data



Optional accessories

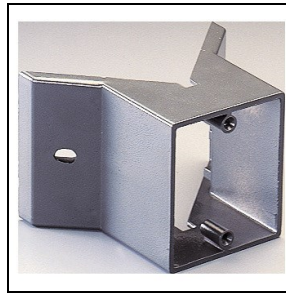
EXTRO



GW82290

Swivel bracket

■ Graphite grey / Graphite grey



GW82291

Angle bracket

■ Graphite grey / Graphite grey



GW82298

Pole mounting single swivel bracket

■ Graphite grey / Graphite grey



GW82299

Pole mounting double swivel bracket

■ Graphite grey / Graphite grey



GW82297

Rectangular base for support column

■ Graphite grey / Graphite grey



GW82292

Pole for single device h = 1300 mm

■ Graphite grey / Graphite grey

To maintain the regular updating of our products, GEWISS reserves the right to make changes without prior notice. For the most up to date information we always recommend you read the latest version published on the website www.performanceinlighting.com. Delivered luminaire lumen outputs and power consumptions, including losses, are subject to a tolerance of +/- 7%, and unless otherwise stated the values apply to an ambient temperature of 25°C. Terms of warranty are available at <https://www.gewiss.com/ww/en/about-gewiss/standard-sales-conditions/led-warranty>

date: 13/2/2025



GW88272

Replacement glass

Tempered glass / Tempered glass

To maintain the regular updating of our products, GEWISS reserves the right to make changes without prior notice. For the most up to date information we always recommend you read the latest version published on the website www.performanceinlighting.com. Delivered luminaire lumen outputs and power consumptions, including losses, are subject to a tolerance of +/- 7%, and unless otherwise stated the values apply to an ambient temperature of 25°C. Terms of warranty are available at <https://www.gewiss.com/ww/en/about-gewiss/standard-sales-conditions/led-warranty>

For information:
GEWISS S.p.A.
Via Domenico Bosatelli 1 - 24069 Cenate Sotto
Bergamo - Italy
Tel. +39 035 946 111

gewiss@gewiss.com
www.performanceinlighting.com