

Pressure measuring transducers, incl. DIN plug-in connectors, with active output

The pressure sensor **PREMASGARD® SHD-SD** is used for measuring relative pressures (max. 0...16 bar) in gaseous and liquid media. **Not suitable for ammonia and freon!**

The pressure sensor **PREMASGARD® SHD** is used for measuring relative pressures (max. 0...40 bar) in gaseous and liquid media. The pressure measuring cell is welded to the pressure sensors without a gasket.

The device variant **SHD-xx-LCD** is supplied with the display module **LCD-SHD**. The installation takes place below the angle plug. The module can be mechanically rotated and tilted, and the display content can be rotated in 90° increments to achieve the ideal reading position. The display types and pressure units are configured directly on the display (menu-controlled via buttons).

The pressure measuring transducer converts the measurand into a standard signal of 0-10V or 4...20mA. Process connection is G½". This pressure transmitter is used in hydraulics, pneumatics, process technology, in mechanical and plant engineering.

SHD-xx-LCD
with display module



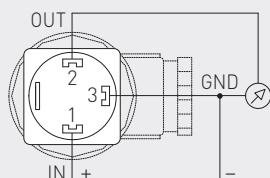
TECHNICAL DATA

Power supply:	24V AC/DC for output 0-10V 7-33V DC for output 4...20mA
Measuring ranges:	see table (other ranges upon request)
Output:	0-10V, 3-wire, (working resistance > 10kOhm) or 4...20mA, 2-wire, (working resistance < (UB (V)-7V)/0.02A; R _L depending on working resistance
Electrical connection:	0.2 - 1.5 mm ² / 24 - 16 AWG, via plug-in connector DIN EN 175301-803-A (included in the scope of delivery)
Pressure connection:	G½" sealing at the back
Type of pressure:	relative
Medium:	liquid and gaseous
Response time:	2 ms (1 ms typical)
Characteristic line:	± 0.3%
Mounting:	directly on pressure line
Housing:	stainless steel V2A (1.4305)
Connecting head:	plastic, approx. 98x50x34 mm / 3.86 x 1.97 x 1.34 in
SHD-SD	
Measuring principle:	ceramic measuring cell
Temperature of medium:	-15...+125 °C / -5...+257 °F
Medium contacting parts:	stainless steel V2A (1.4305); measuring element ceramic Al ₂ O ₃ (96%); sealing material FPM (Viton)
Load changes:	< 100 Hz
Overload range / Bursting pressure:	< 4 bar: 3 x FS > 4 bar: 2.5 x FS
SHD	
Measuring principle:	steel measuring cell
Temperature of medium:	-40...+135 °C / -40...+275 °F
Medium contacting parts:	stainless steel V2A (1.4305)
Overload range:	< 6 bar: 5 x of final valu > 6 bar: 3 x of final valu (max. 1500 bar)
Bursting pressure:	< 6 bar: 10 x of final valu > 6 bar: 6 x of final valu (max. 2500 bar)
SHD-xx-LCD	
Display:	display module LCD-SHD, rotatable and tiltable, made of plastic, polyamide material, black colour, for displaying the ACTUAL pressure, min / max pressure or standard signal of the sensor
Display content:	pressure [bar] [kPa] [psi] [inWC] [mWC] [atm] power [V] or current [mA]
System of unitsv:	SI and Imperial (display configurable)
Protection class:	III (according to EN 60 730)
Protection type:	IP 65 (according to EN 60 529)
Standards:	CE conformity according to EMC Directive 2014/30/EU
Tests:	drinking water approval according to NSF/ANSI 61/372, UL-certified according to ANSI/UL 61010-1

Connecting diagram

SHD xx-U

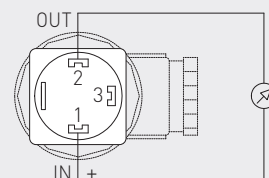
- Output pressure 0-10V
- GND
- Supply voltage UB+ 24V AC/DC



Connecting diagram

SHD xx-I

- Output pressure 4...20mA
- Free
- Supply voltage UB+ 24V DC



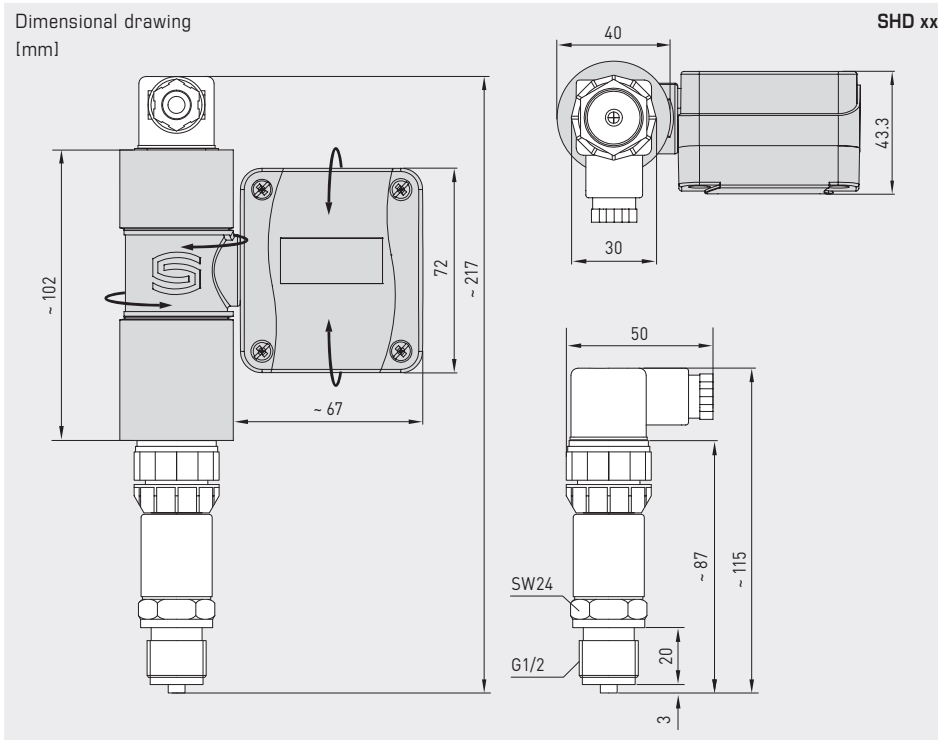


NEW

S+S REGELTECHNIK

PREMASGARD® SHD-SD
PREMASGARD® SHD

Pressure measuring transducers, incl. DIN plug-in connectors,
with active output



SHD xx

PREMASGARD® SHD-SD Pressure measuring transducer, *Standard* or gaseous and liquid media

Measuring Range	Type / WG01	Display	Item No.		Price
			Output 0-10V	Output 4...20 mA	
	SHD-SD-x = U / I		U - variant	I - variant	
0... 6 bar	SHD-SD-x 6		1301-2121-0550-120	1301-2122-0550-000	133,75 €
	SHD-SD-x 6 LCD	■	1301-2121-5550-221	1301-2122-5550-101	328,75 €
0... 10 bar	SHD-SD-x 10		1301-2121-0560-120	1301-2122-0560-000	133,75 €
	SHD-SD-x 10 LCD	■	1301-2121-5560-221	1301-2122-5560-101	328,75 €
0... 16 bar	SHD-SD-x 16		1301-2121-0570-120	1301-2122-0570-000	133,75 €
	SHD-SD-x 16 LCD	■	1301-2121-5570-221	1301-2122-5570-101	328,75 €
Note:	Not suitable for ammonia and freon!				

PREMASGARD® SHD Pressure measuring transducer, *Premium* for gaseous and liquid media

Measuring Range	Type / WG01	Display	Item No.		Price
			Output 0-10V	Output 4...20 mA	
	SHD-x = U / I		U - variant	I - variant	
0... 1 bar	SHD-x 1		1301-2111-0520-220	1301-2112-0520-120	220,94 €
	SHD-x 1 LCD	■	1301-2111-5520-221	1301-2112-5520-121	415,94 €
0... 2.5 bar	SHD-x 2,5		1301-2111-0530-220	1301-2112-0530-120	220,94 €
	SHD-x 2,5 LCD	■	1301-2111-5530-221	1301-2112-5530-121	415,94 €
0... 6 bar	SHD-x 6		1301-2111-0550-220	1301-2112-0550-120	159,97 €
	SHD-x 6 LCD	■	1301-2111-5550-221	1301-2112-5550-121	354,97 €
0... 10 bar	SHD-x 10		1301-2111-0560-220	1301-2112-0560-120	159,97 €
	SHD-x 10 LCD	■	1301-2111-5560-221	1301-2112-5560-121	354,97 €
0... 16 bar	SHD-x 16		1301-2111-0570-220	1301-2112-0570-120	159,97 €
	SHD-x 16 LCD	■	1301-2111-5570-221	1301-2112-5570-121	354,97 €
0... 25 bar	SHD-x 25		1301-2111-0580-220	1301-2112-0580-120	220,94 €
	SHD-x 25 LCD	■	1301-2111-5580-221	1301-2112-5580-121	415,94 €
0... 40 bar	SHD-x 40		1301-2111-0590-220	1301-2112-0590-120	220,94 €
	SHD-x 40 LCD	■	1301-2111-5590-221	1301-2112-5590-121	415,94 €